

### Manual Step Attenuator

- ◆ DC to 5.8GHz
- ◆ 0 to 45dB in 1dB Step
- ◆ 2 Watt
- ◆ Choice of SMA or N Type Connectors

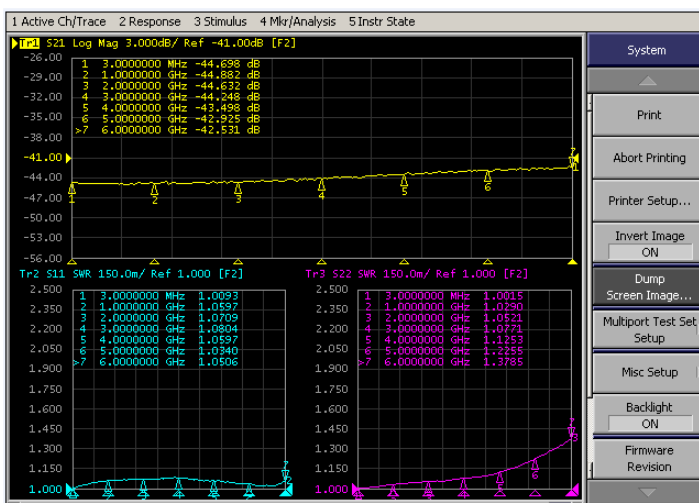


### Features

- Using advanced microstrip technology, ultra-small size
- Attenuation values are adjustable in a power-on state, no sudden big reflection.  
It adopts an innovative technology, and thus it eliminates sudden big reflection in attenuators when attenuation is being adjusted, preventing the preliminary RF circuit from being burnt, and keeping the system stable
- Step values: 1dB, 2dB, 4dB, 8dB, 15dB, 15dB
- 46 attenuation values
- High attenuation accuracy, low insertion loss
- High adjustment accuracy
- Low cost – High Performance
- Adjusting the transmitting (receiving) distance of RF signal precisely. Adjusting accuracy is limited to 5cm.
- Switch repeatability avg.> 10000 operations (5000 cycles) per switch.
- PC(Polycarbonate) Switch, operating temperature of 120°C is available.
- Attenuation values are adjustable in a power-on state, test data can be read continuously, no interruption.

### Characteristic

For example the testing curves of VAS074501N22 of 45dB



### Specifications

<b>Frequency Range</b>	DC to 5.8GHz
<b>Attenuation</b>	0 to 45dB
<b>Step Value</b>	1dB
<b>Insertion loss at 0dB (typ.)</b>	
	0.50dB at 1 GHz
	0.90dB at 2 GHz
	1.30dB at 3 GHz
	1.50dB at 4GHz
	2.0dB at 5 GHz
	3.0dB at 5.8 GHz

### Attenuation Accuracy (typ.)

±0.5 dB at 1GHz
-0.5 to +1.0dB at 2GHz
-1.5dB to +1.7dB at 3GHz
-3.0dB to +2.5dB at 4GHz
-4.5dB to +4dB at 5 GHz
-6.5dB to 5.5dB at 5.8 GHz

<b>Nominal Impedance</b>	50 Ohm
<b>Average Power</b>	2 Watt
<b>Operating Temperature</b>	-40°C to +85°C

Freq. Range (GHz)	VSWR(:1)	
	Typ.	Max.
DC to 5	1.20	1.45
5 to 5.8	1.45	1.55

### Model No. Description

VAS      \*\*      \*\*      \*\*      \*      \*      \*  
 Type      Attenuation Range      Step Value      Connector Type      Max. Power      Connector Option

**VAS:** Step Variable Attenuator

**Type:** 07 represents type number

**Attenuation Range:** Maximum attenuation.

**Connector Type:** S and N available. S is SMA and N is N type connector.

**Max. Power:** 2 and 5 are available, currently 2W and 5W are available.

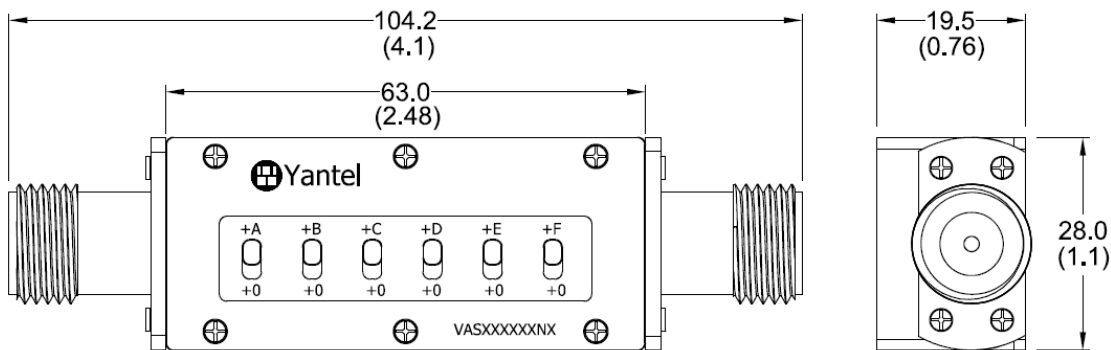
#### Connector Options:

Options	IO
1	Female/Female
2	Male/Female
3	Male/Male

**Connector Position:** "A" represents back connectors, without "A" represents left and right connectors.

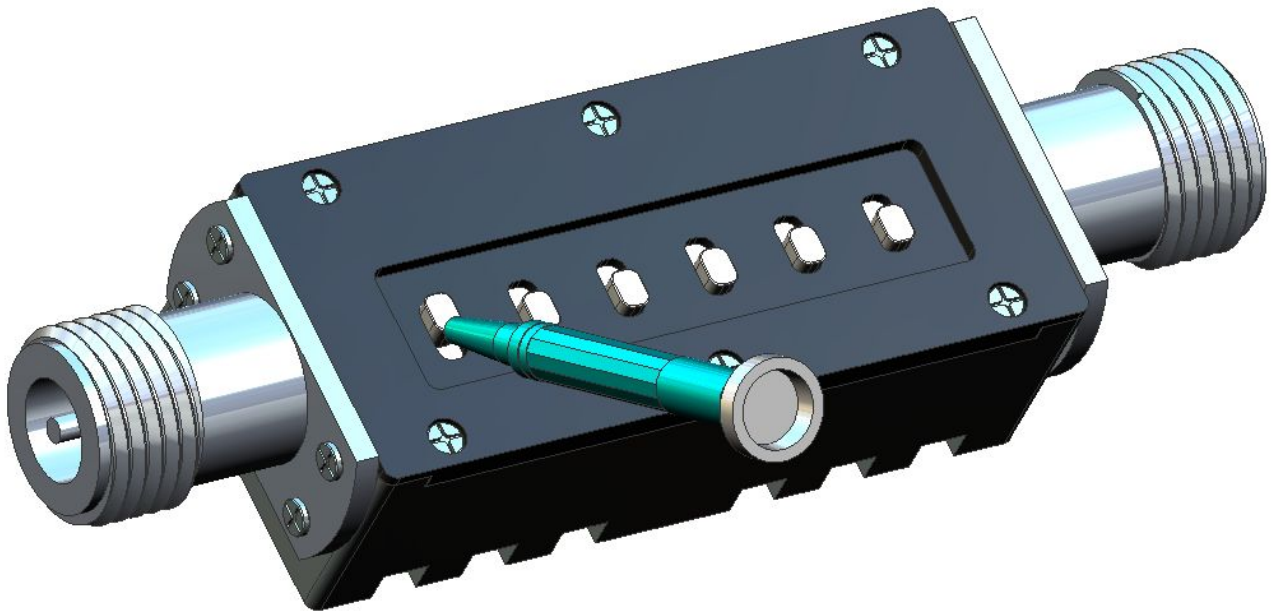
### Package Outlines

#### N-type Connector



#### NOTE:

1. ALL dimensions shown in mm (tolerance: +/-0.2mm) unless stated otherwise
2. RoHS Compliant in accordance with EU Directive (2011/65/EU)

**Attention**

It is much easier to adjust the switch by tools like plastic screw driver.