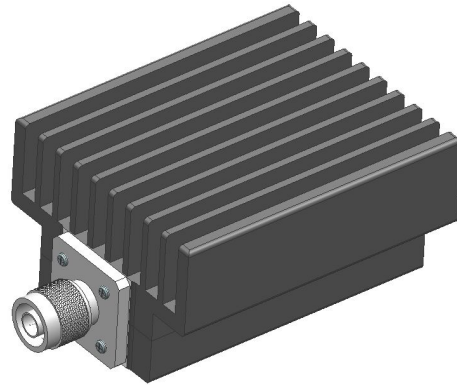


## Fixed Attenuator

- ◆ DC to 3.5GHz
- ◆ 10dB
- ◆ 100 Watt
- ◆ N Type



### Features

- High Power
- High attenuation accuracy
- Small VSWR
- Low PIM

### Model No. Description

FATXXXXXXXX

XXX- power handling:100W.

X- connector type: SMA, N type or SMB connector.

XX- attenuation: \*\*dB.

XX- 04 represents type number

### Specifications

Frequency Range	DC to 3.5GHz
Attenuation	10dB
Attenuation Accuracy	±0.75dB over DC - 3GHz ±1.0dB over 3 – 3.5GHz
Nominal Impedance	50 Ohm
Average Power	100 Watt
Operating Temperature	-55 °C to +125°C
Storage Temperature	-55 °C to +125°C

FREQ. RANGE (GHz)	Typical VSWR(:1)	Maximum VSWR(:1)
DC to 3	1.30	1.35
3 to 3.5	1.45	1.50

**AVERAGE POWER:** 100W average to 25°C ambient temperature,  
derated linearly to 10W @ 125°C.

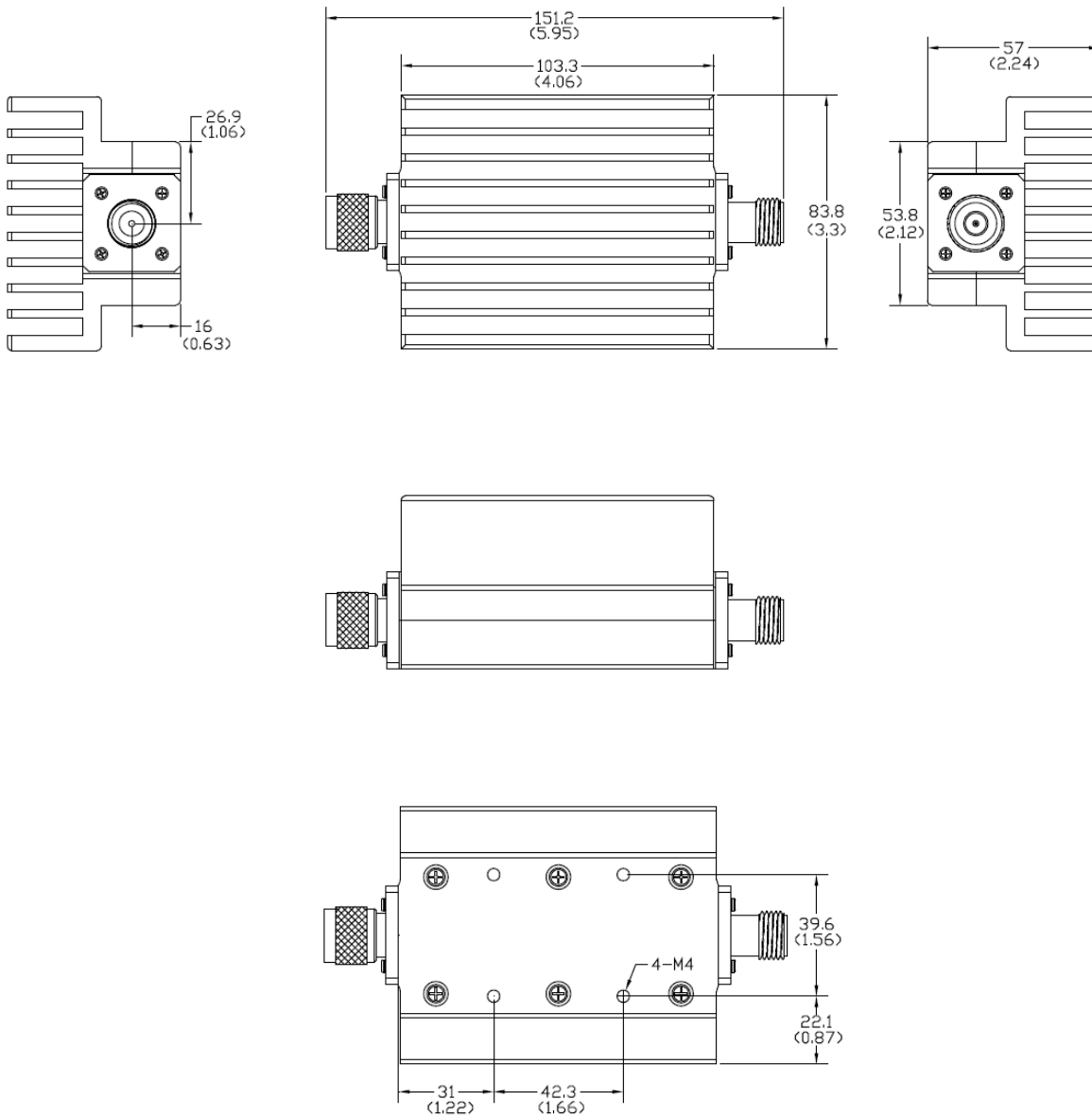
**PEAK POWER:** 5KW (5µs pulse width with 1.0% duty cycle)

**CONNECTOR TYPE:** N, N male to N female bidirectional type

**WEIGHT:** about 0.8Kg

### Material & Plating

Parts	Material	Plating(Micro-inch)
Body & Nut	Aluminum	Black Anodize
Contact (female & male)	QSn6.5-0.1	Gold 30
Insulator	Teflon	

**Package Outlines**

**Notes:**

1. all dimensions shown in mm & inch
2. Dimensions Tolerance  $\pm 2\%$
3. Dimensions and specifications refer to connector type N unless otherwise specified.
4. Custom designs available for other special attenuation value & accuracy

**Yantel Corporation**

 Add: 3F, Building 3, Southern District 2 of Zhongguan Honghualing Industrial Park, Xili, Nanshan, Shenzhen, China  
 Tel: 86-755-8355-1886 Fax: 86-755-8355-2533

 For detailed performance specs & shopping online see Yantel web site : [www.yantel-corp.com](http://www.yantel-corp.com)