

Data Sheet

DC0850U20-122

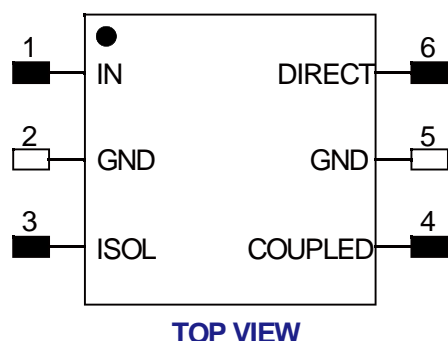
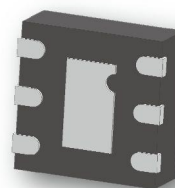
Directional Coupler

750 MHz-950 MHz



Features

- Small Size (2x2mm)
- Very Low Loss
- Excellent directivity
- Broad frequency coverage
- High Isolation
- Low VSWR
- Good Repeatability
- Tape & Reel
- Power handling:5 watts

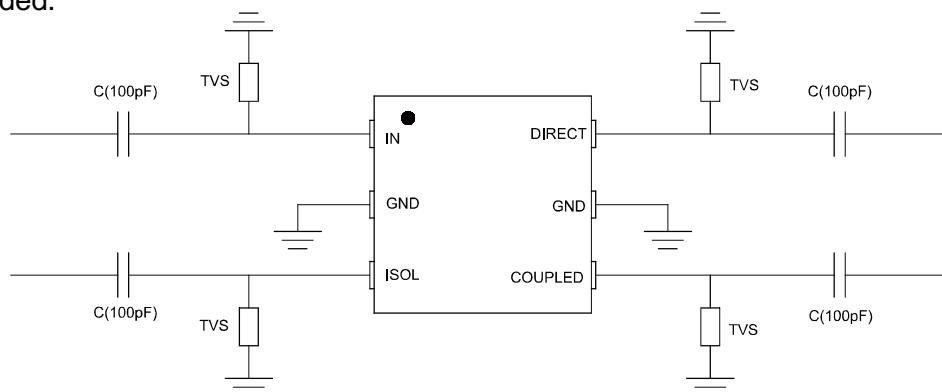


Applications

- Phase shifter / Attenuator
- Balanced amplifier / LNA configurations
- Modulators
- Mixers
- Power combining /dividing

Notes:

1. This part has passed through 100% RF test.
2. Suggest to add Capacitors of DC Blocker between Pins(with black color) and external circuit to prevent DC signal entry to guarantee parts normal work.
3. Suggest to add a TVS Diode in parallel between Electrode (with black color) and Capacitor of DC Blocker to provide ESD protection for the product. TVS Diode use ON Semiconductor's ESD9101 is recommended.



ESD Rating

Human Body Model (HBM): $\leq 650V$ in accordance with ANSI/ESD STM 5.1 - 2001

Machine Model (MM): $\leq 50V$ in accordance with ANSI/ESD STM 5.2 - 1999

Yantel Corporation

Add: 3F, Building 3, Southern District 2 of Zhongguan Honghualing Industrial Park, Xili, Nanshan, Shenzhen, China

Tel: 86-755-8355-1886 Fax: 86-755-8355-2533

Data Sheet

DC0850U20-122

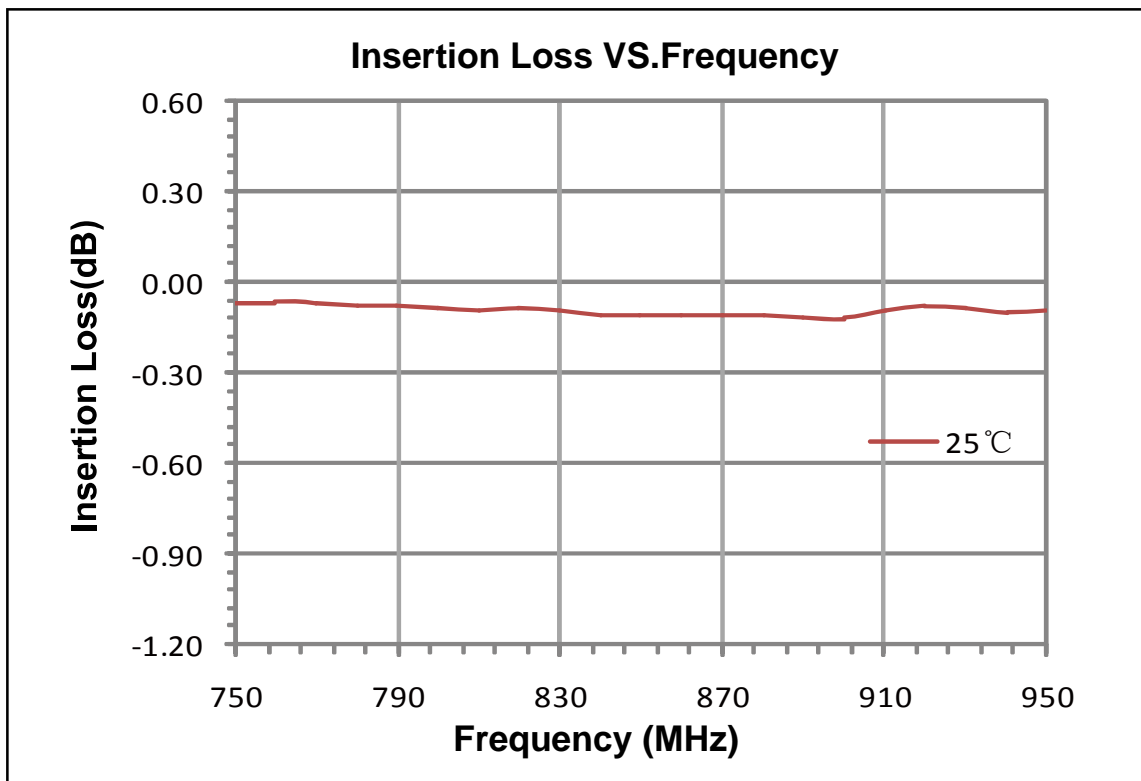
Directional Coupler
750 MHz-950 MHz



Electrical Specifications at 25° C

Part No.	Freq. Range (MHz) FL~FU	Power (W)	Size LxW (mm)	Coupling (dB)	Insertion loss (dB)	VSWR(:1)	Directivity (dB)
DC0850U20-122	750~800	5	2X2	20.7~20.9	0.06	1.06	10.9
	800~850			20.2~20.6	0.09	1.06	10.9
	850~900			19.8~20.1	0.11	1.06	10.8
	900~950			19.1~19.6	0.09	1.06	10.7

Typical Performance (25°C, 750-950 MHz)



Yantel Corporation

Add: 3F, Building 3, Southern District 2 of Zhongguan Honghualing Industrial Park, Xili, Nanshan, Shenzhen, China
Tel: 86-755-8355-1886 Fax: 86-755-8355-2533

Rev A3

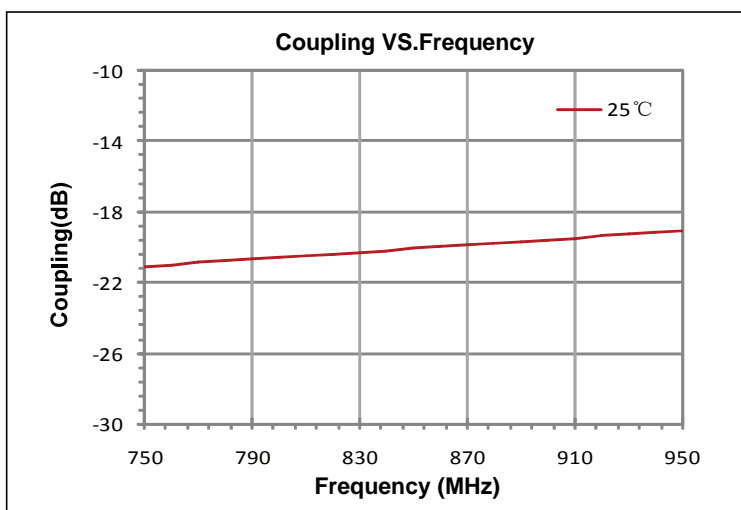
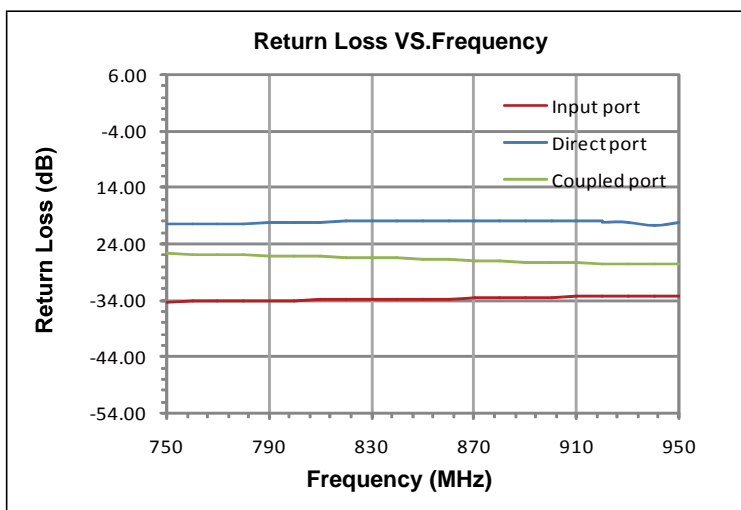
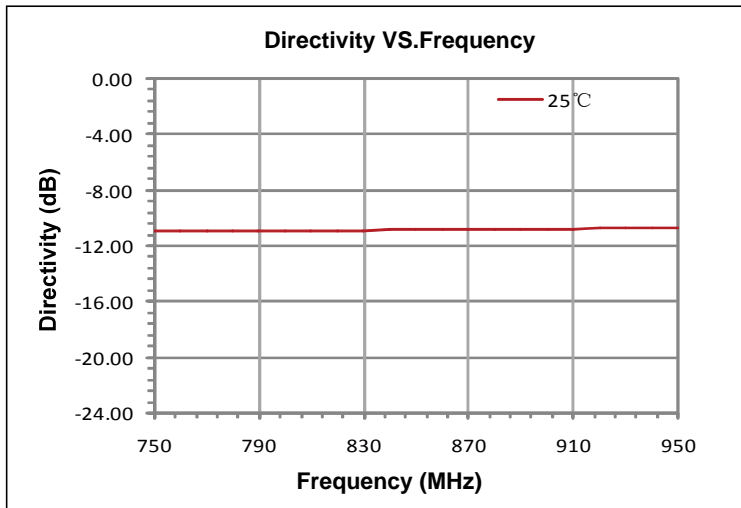
For detailed performance specs & shopping online see Yantel web site : www.yantel-corp.com

Data Sheet

DC0850U20-122

Directional Coupler

750 MHz-950 MHz



Yantel Corporation

Add: 3F, Building 3, Southern District 2 of Zhongguan Honghualing Industrial Park, Xili, Nanshan, Shenzhen, China
 Tel: 86-755-8355-1886 Fax: 86-755-8355-2533

Rev A3

For detailed performance specs & shopping online see Yantel web site : www.yantel-corp.com

Data Sheet

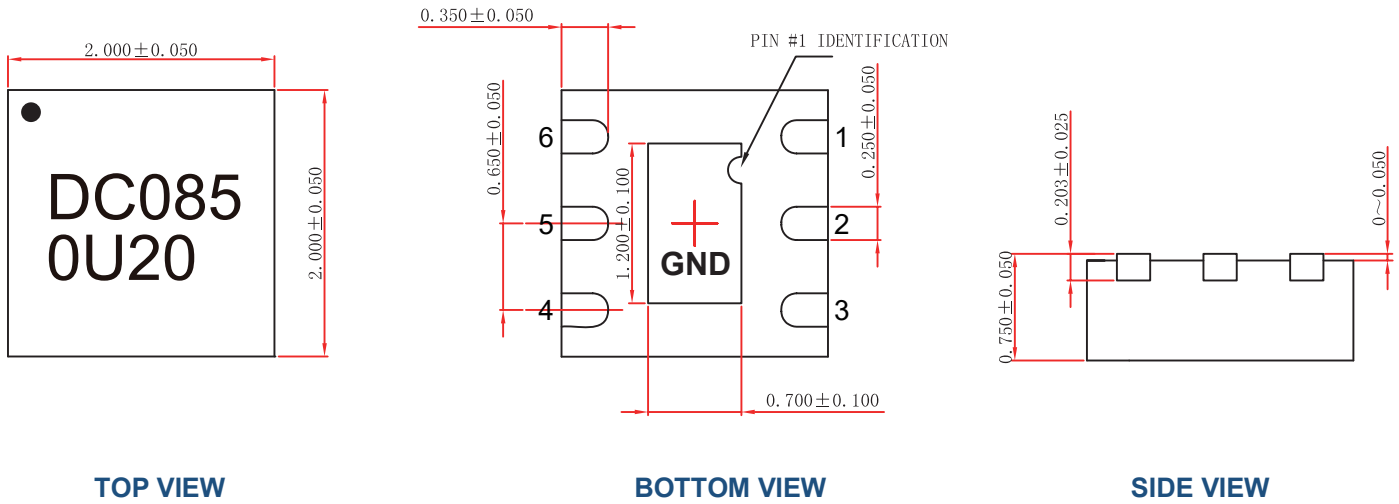
DC0850U20-122

Directional Coupler

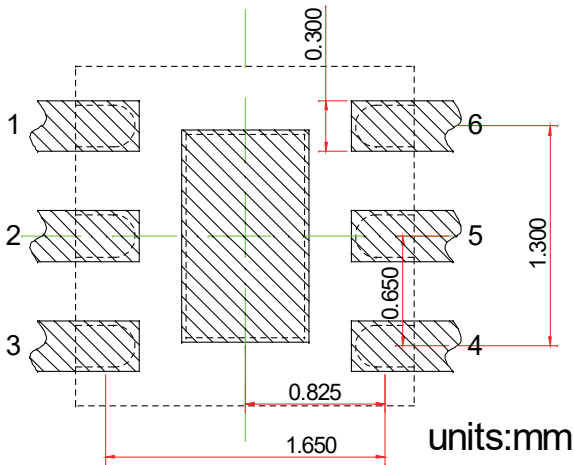
750 MHz-950 MHz



Outline Drawing



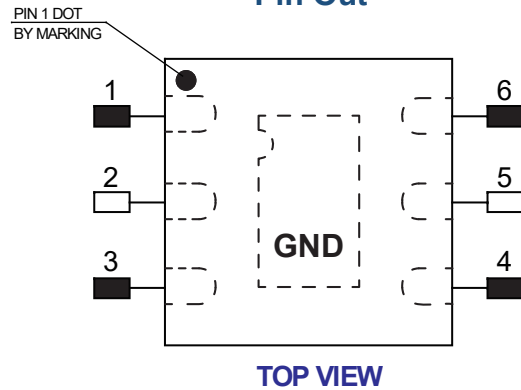
Land Pattern



Recommended Land Pattern Top View

Notes: All dimensions show in millimeters

Pin Out



Notes:

1. Require to add Capacitors of DC Blocker between Pins (with black color) and external circuit to prevent DC signal entry to guarantee normal work.
2. This part has passed through 100% RF test.

Pin #	Connection
1	IN
2	GND
3	ISOL
4	COUPLED
5	GND
6	DIRECT
Center Pad	GND

Yantel Corporation

Add: 3F, Building 3, Southern District 2 of Zhongguan Honghualing Industrial Park, Xili, Nanshan, Shenzhen, China
Tel: 86-755-8355-1886 Fax: 86-755-8355-2533