

# Data Sheet

## DC0900U05

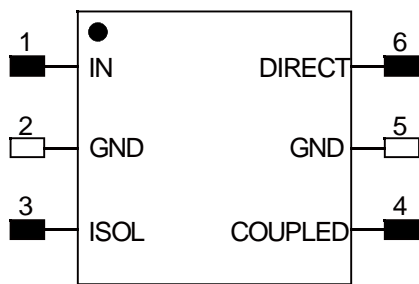
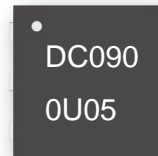
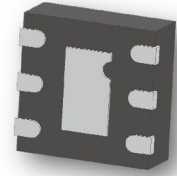
### Directional Coupler

### 830 MHz-930 MHz



## Features

- Small Size (2x2mm)
- Very Low Loss
- Excellent directivity
- Broad frequency coverage
- High Isolation
- Low VSWR
- Good Repeatability
- Tape & Reel
- Power handling:5 watts



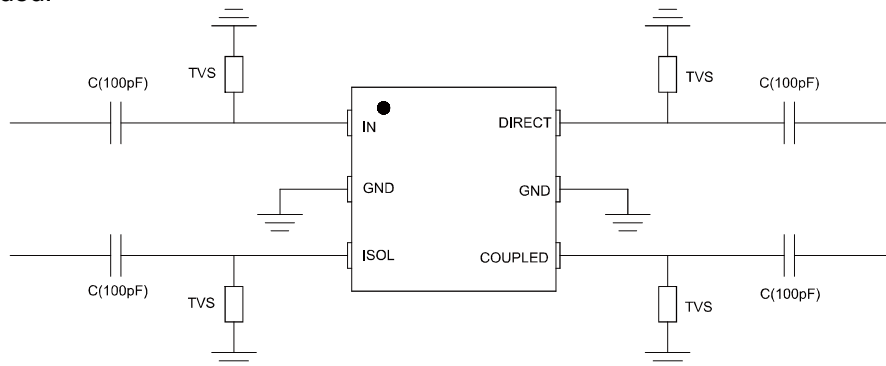
TOP VIEW

## Applications

- Phase shifter / Attenuator
- Balanced amplifier / LNA configurations
- Modulators
- Mixers
- Power combining /dividing

### Notes:

- 1.This part has passed through 100% RF test.
2. Suggest to add Capacitors of DC Blocker between Pins(with black color) and external circuit to prevent DC signal entry to guarantee parts normal work.
3. Suggest to add a TVS Diode in parallel between Electrode (with black color) and Capacitor of DC Blocker to provide ESD protection for the product. TVS Diode use ON Semiconductor's ESD9101 is recommended.



### ESD Rating

Human Body Model (HBM):  $\leq 650V$  in accordance with ANSI/ESD STM 5.1 - 2001

Machine Model (MM):  $\leq 50V$  in accordance with ANSI/ESD STM 5.2 - 1999

## Yantel Corporation

Add: 3F, Building 3, Southern District 2 of Zhongguan Honghualing Industrial Park, Xili, Nanshan, Shenzhen, China

Tel: 86-755-8355-1886 Fax: 86-755-8355-2533

Rev A3

For detailed performance specs & shopping online see Yantel web site : [www.yantel-corp.com](http://www.yantel-corp.com)

# Data Sheet

## DC0900U05

### Directional Coupler

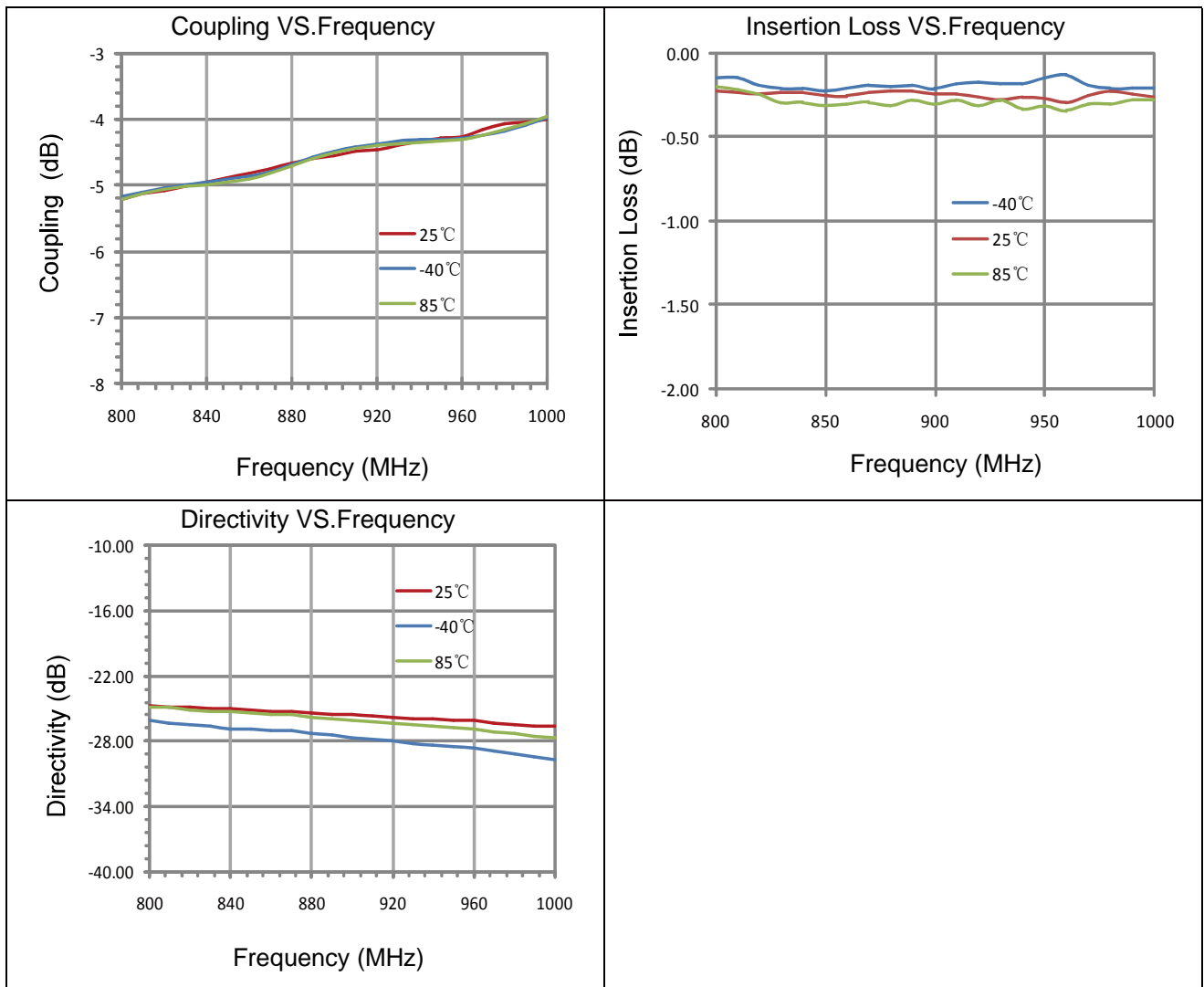
### 830 MHz-930 MHz



#### Electrical Specifications at 25° C

Part No.	Freq. Range (MHz) FL~FU	Power (W)	Size LxW (mm)	Coupling (dB)	Insertion loss (dB)	VSWR(:1)	Directivity (dB)
DC0900U05	830~880	5	2X2	4.7~5.0	0.25	1.03	24.9
	880~930			4.3~4.7			25.3

#### Typical Performance (-40°C, 25°C, 85°C: 800-1000 MHz)



#### Yantel Corporation

Add: 3F, Building 3, Southern District 2 of Zhongguan Honghualing Industrial Park, Xili, Nanshan, Shenzhen, China  
 Tel: 86-755-83355-1886 Fax: 86-755-83355-2533

Rev A3

For detailed performance specs & shopping online see Yantel web site : [www.yantel-corp.com](http://www.yantel-corp.com)

# Data Sheet

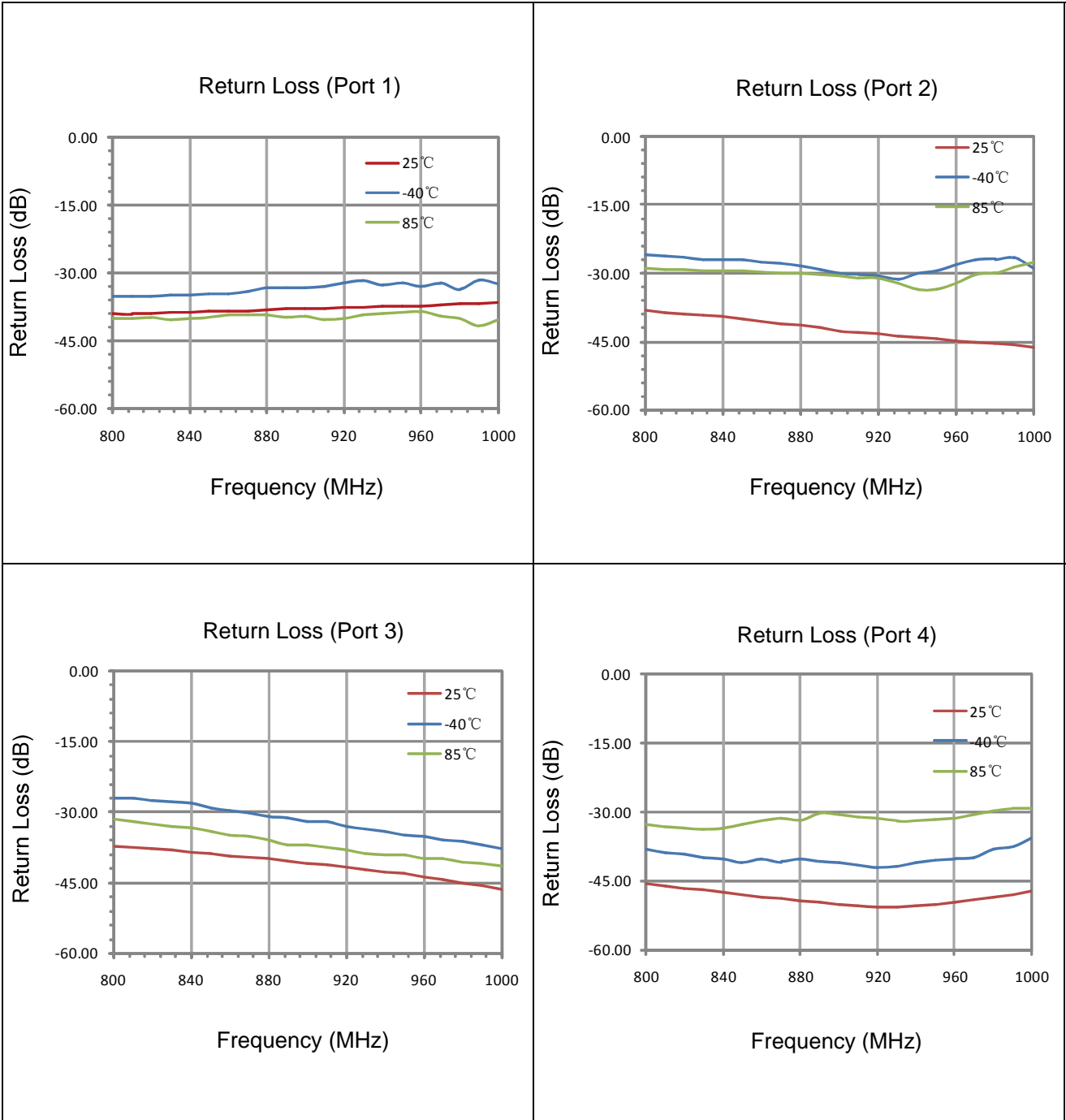
## DC0900U05

### Directional Coupler

### 830 MHz-930 MHz



#### Typical Performance (-40°C, 25°C, 85°C: 800-1000 MHz)



#### Yantel Corporation

Add: 3F, Building 3, Southern District 2 of Zhongguan Honghualing Industrial Park, Xili, Nanshan, Shenzhen, China  
 Tel: 86-755-8355-1886 Fax: 86-755-8355-2533

Rev A3

For detailed performance specs & shopping online see Yantel web site : [www.yantel-corp.com](http://www.yantel-corp.com)

# Data Sheet

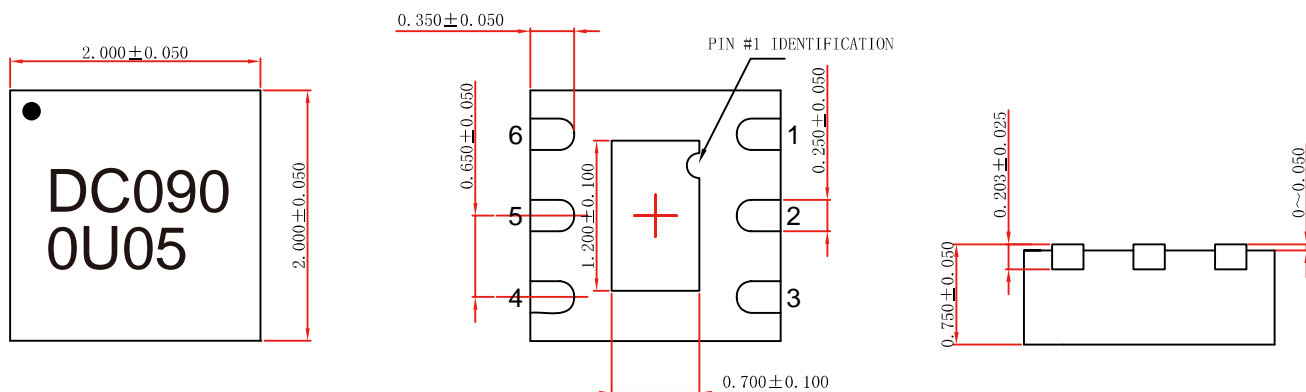
## DC0900U05

### Directional Coupler

### 830 MHz-930 MHz



## Outline Drawing

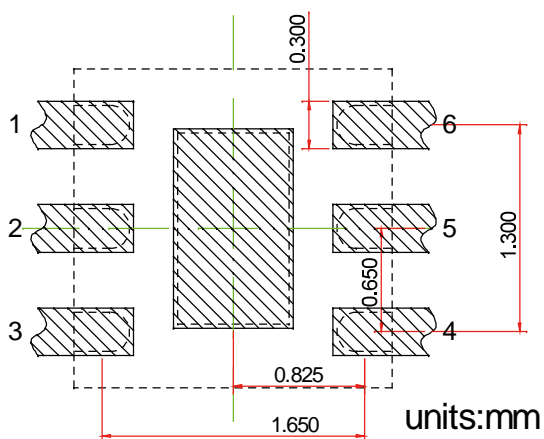


TOP VIEW

BOTTOM VIEW

SIDE VIEW

## Land Pattern

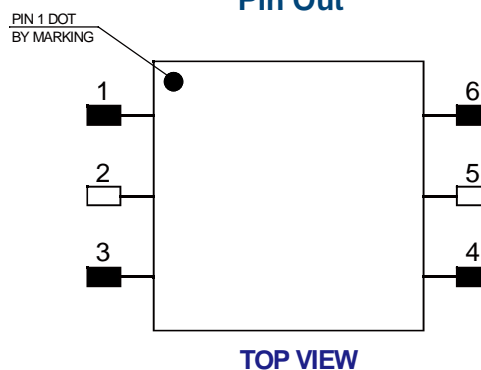


## Recommended Land Pattern

### Top View

Notes: All dimensions show in millimeters

## Pin Out



TOP VIEW

Notes:

1. Require to add Capacitors of DC Blocker between Pins (with black color) and external circuit to prevent DC signal entry to guarantee normal work.
2. This part has passed through 100% RF test.

Pin #	Connection
1	IN
2	GND
3	ISOL
4	COUPLED
5	GND
6	DIRECT

## Yantel Corporation

Add: 3F, Building 3, Southern District 2 of Zhongguan Honghualing Industrial Park, Xili, Nanshan, Shenzhen, China  
Tel: 86-755-8355-1886 Fax: 86-755-8355-2533

Rev A3

For detailed performance specs & shopping online see Yantel web site : [www.yantel-corp.com](http://www.yantel-corp.com)