

PD21000U06W

Patented Product

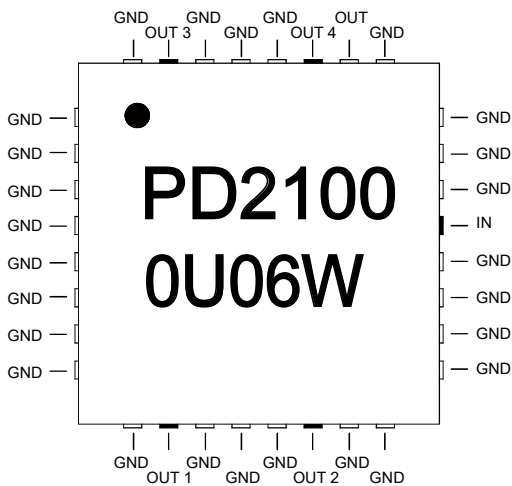
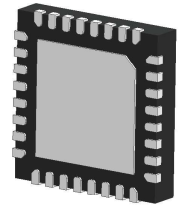
Power Divider/Combiner

4-Way 0° 50Ω 10.7-31GHz



Features

- Ultra-Wide Bandwidth, 10.7 to 31 GHz
- Small Size, 5x5 mm
- Aqueous Washable
- Good Repeatability
- High ESD level*
- Operating Temperature -40°C~105°C
- Power handling
 - 0.6 Watts as a divider/combiner



Applications

- Instrumentation
- Radar
- Satellite Communications
- 5G

Notes:

1. This part has passed through 100% RF test.

* ESD rating

Human body model (HBM): Class 2 (2000 to <4000V) in accordance with ANSI/ESD 5.1-2007

Machine model: Class M3 (200 to <4000V) in accordance with ANSI/ESD 5.2-2009

Yantel Corporation

Add: 3F, Building 3, Southern District 2 of Zhongguan Honghualing Industrial Park, Xili, Nanshan, Shenzhen, China

Tel: 86-755-8355-1886 Fax: 86-755-8355-2533

Rev A1.0

For detailed performance specs & shopping online see Yantel web site : www.yantel-corp.com

PD21000U06W
Patented Product
Power Divider/Combiner
4-Way 0° 50Ω 10.7-31GHz



Electrical Specifications at 25° C

Parameter	Frequency (GHz)	Min.	Typ.	Max.	Unit
Frequency Range		10.7		31	GHz
Insertion Loss Above 6.0 dB	10.7-13		0.4		dB
	13-22		0.6		
	22-31		1.1		
Isolation	10.7-13		13.1		dB
	13-22		19.3		
	22-31		21.5		
Phase Unbalance	10.7-13		2.7		Degree
	13-22		4.7		
	22-31		7.8		
Amplitude Unbalance	10.7-13		0.3		dB
	13-22		0.2		
	22-31		0.2		
VSWR (Port S)	10.7-13		1.2		:1
	13-22		1.3		
	22-31		1.2		
VSWR (Port 1-4)	10.7-13		1.4		:1
	13-22		1.3		
	22-31		1.2		
Power Handling	As a Splitter	10.7-31	0.6		W
	Per Port as a Combiner	10.7-31	0.6		

Yantel Corporation

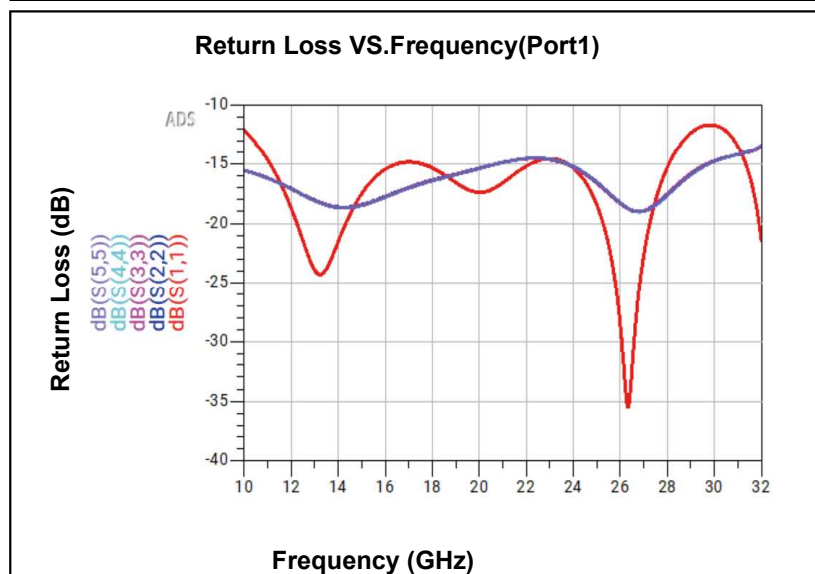
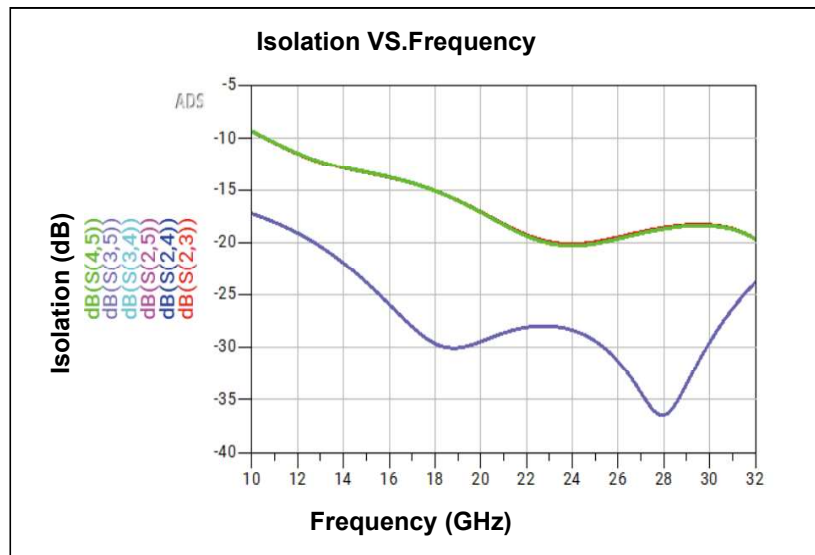
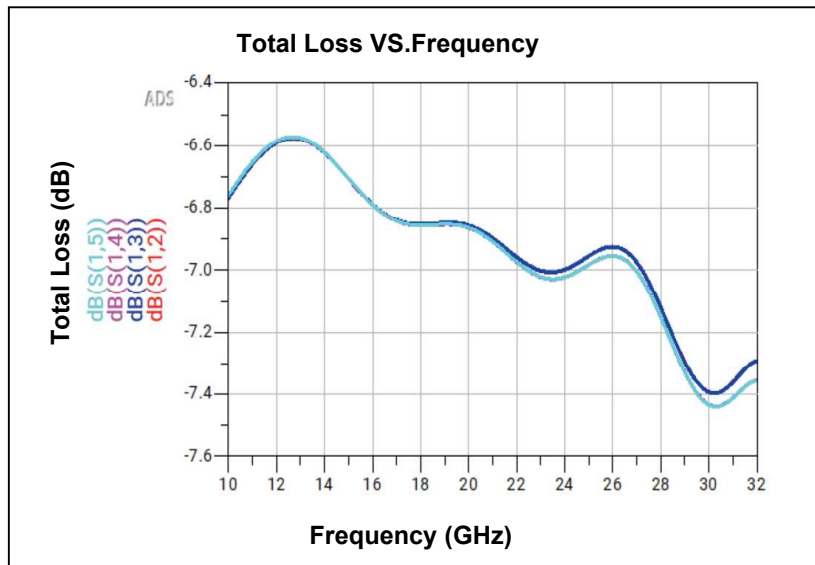
Add: 3F, Building 3, Southern District 2 of Zhongguan Honghualing Industrial Park, Xili, Nanshan, Shenzhen, China
 Tel: 86-755-8355-1886 Fax: 86-755-8355-2533

PD21000U06W

Patented Product

Power Divider/Combiner

4-Way 0° 50Ω 10.7-31GHz



Yantel Corporation

Add: 3F, Building 3, Southern District 2 of Zhongguan Honghualing Industrial Park, Xili, Nanshan, Shenzhen, China

Tel: 86-755-8355-1886 Fax: 86-755-8355-2533

Rev A1.0

For detailed performance specs & shopping online see Yantel web site : www.yantel-corp.com

PD2100U06W

Patented Product

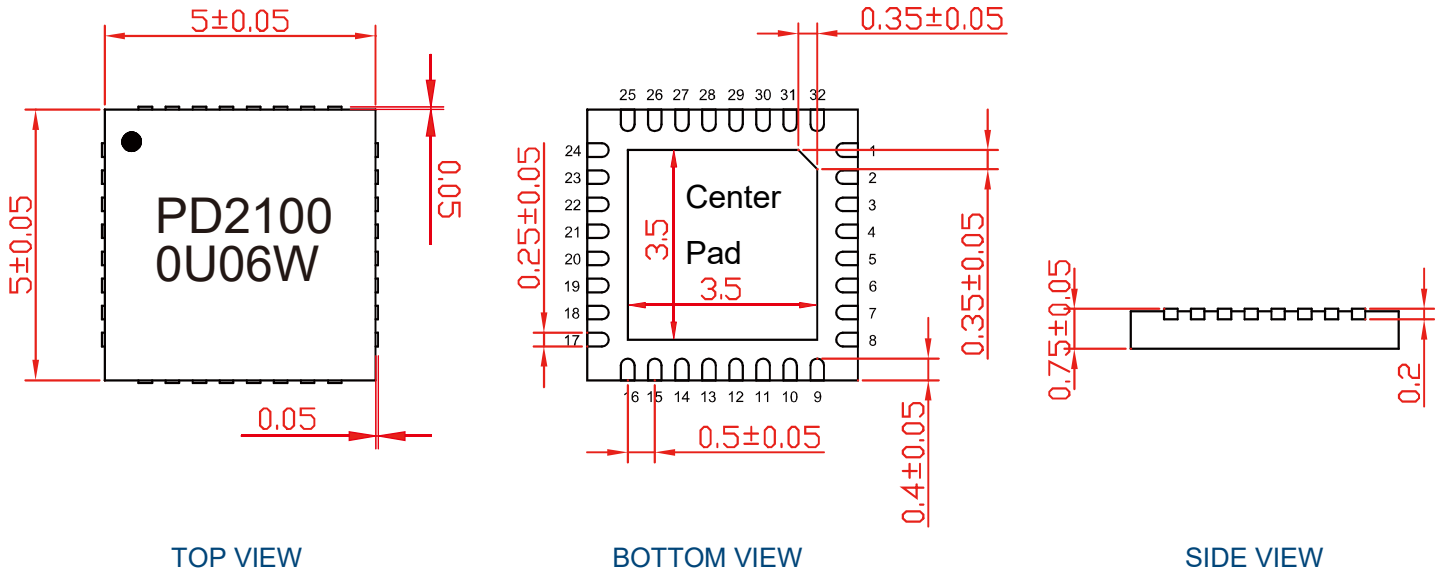
Power Divider/Combiner

4-Way 0° 50Ω 10.7-31GHz

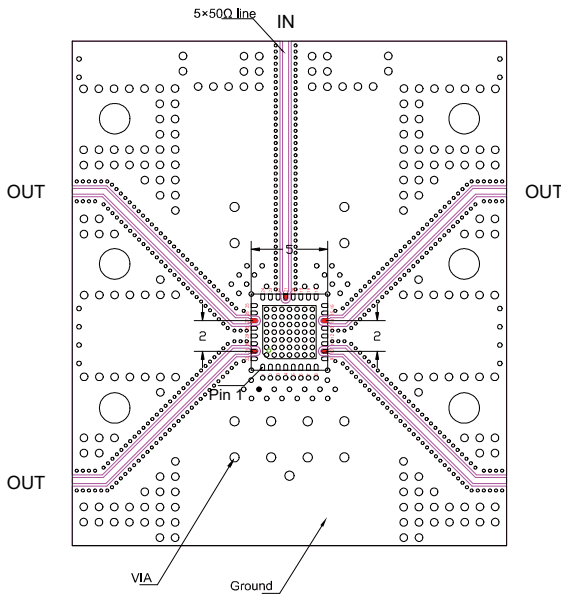


Outline Drawing

units:mm

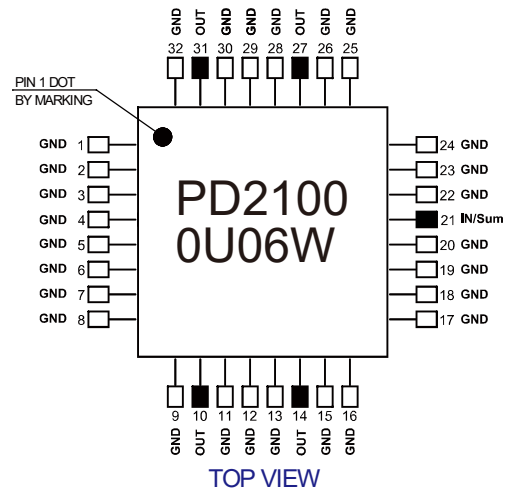


Land Pattern



NOTE:

1. 50Ω line width is shown above designing from RO4350B dielectric thickness 0.254mm; copper 1/2 OZ
2. Bottom side of the PCB is continuous ground plane.
3. All dimensions shown in mm.



Notes:

1. Require to add Capacitors of DC Blocker between Pins (with black color) and external circuit to prevent DC signal entry to guarantee parts normal work.
2. This part has passed through 100% RF test.

Pin #	Connection
1	GND
2	GND
3	GND
4	GND
5	GND
6	GND
7	GND
8	GND
9	GND
10	OUT
11	GND
12	GND

Pin #	Connection
13	GNDa
14	OUT
15	GND
16	GND
17	GND
18	GND
19	GND
20	GND
21	IN
22	GND
23	GND
24	GND

Pin #	Connection
25	GND
26	GND
27	OUT
28	GND
29	GND
30	GND
31	OUT
32	GND
Center Pad	GND

Yantel Corporation

Add: 3F, Building 3, Southern District 2 of Zhongguan Honghualing Industrial Park, Xili, Nanshan, Shenzhen, China

Tel: 86-755-8355-1886 Fax: 86-755-8355-2533

Rev A1.0

For detailed performance specs & shopping online see Yantel web site : www.yantel-corp.com