

PD9000U06W

Patented Product

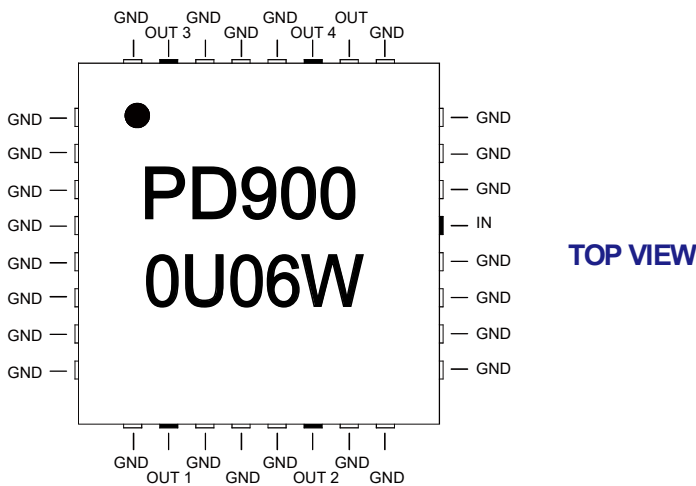
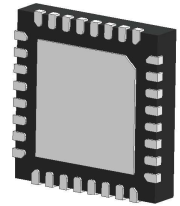
Power Divider/Combiner

4-Way 0° 50Ω DC-18GHz



Features

- Ultra-Wide Bandwidth, DC to 18 GHz
- Small Size, 5x5 mm
- Aqueous Washable
- Good Repeatability
- High ESD level*
- Operating Temperature -40°C~105°C
- Power handling
 - 0.6 Watts as a divider/combiner



Applications

- WIMAX
- ISM
- Instrumentation
- Radar
- WLAN
- Satellite communications
- LTE

Notes:

1. This part has passed through 100% RF test.

* ESD rating

Human body model (HBM): Class 2 (2000 to <4000V) in accordance with ANSI/ESD 5.1-2007

Machine model: Class M3 (200 to <4000V) in accordance with ANSI/ESD 5.2-2009

Yantel Corporation

Add: 3F, Building 3, Southern District 2 of Zhongguan Honghualing Industrial Park, Xili, Nanshan, Shenzhen, China

Tel: 86-755-8355-1886 Fax: 86-755-8355-2533

Rev A1.0

For detailed performance specs & shopping online see Yantel web site : www.yantel-corp.com

PD9000U06W
Patented Product
Power Divider/Combiner
4-Way 0° 50Ω DC-18GHz



Electrical Specifications at 25° C

Parameter	Frequency (GHz)	Min.	Typ.	Max.	Unit
Frequency Range		DC		18	GHz
Insertion Loss Above 6.0 dB	DC-4	/	4.2	/	dB
	4-18	/	3.4	/	
Isolation	DC-4	/	12.1	/	dB
	4-18	/	18.8	/	
Phase Unbalance	DC-4	/	0.3	/	Degree
	4-18	/	1.9	/	
Amplitude Unbalance	DC-4	/	0.1	/	dB
	4-18	/	0.2	/	
VSWR (Port S)	DC-4	/	1.8	/	:1
	4-18	/	1.4	/	
VSWR (Port 1-4)	DC-4	/	1.6	/	:1
	4-18	/	1.5	/	
Power Handling	As a Splitter	DC-4	/	/	W
	Per Port as a Combiner	4-18	/	/	

Yantel Corporation

Add: 3F, Building 3, Southern District 2 of Zhongguan Honghualing Industrial Park, Xili, Nanshan, Shenzhen, China
 Tel: 86-755-8355-1886 Fax: 86-755-8355-2533

Rev A1.0

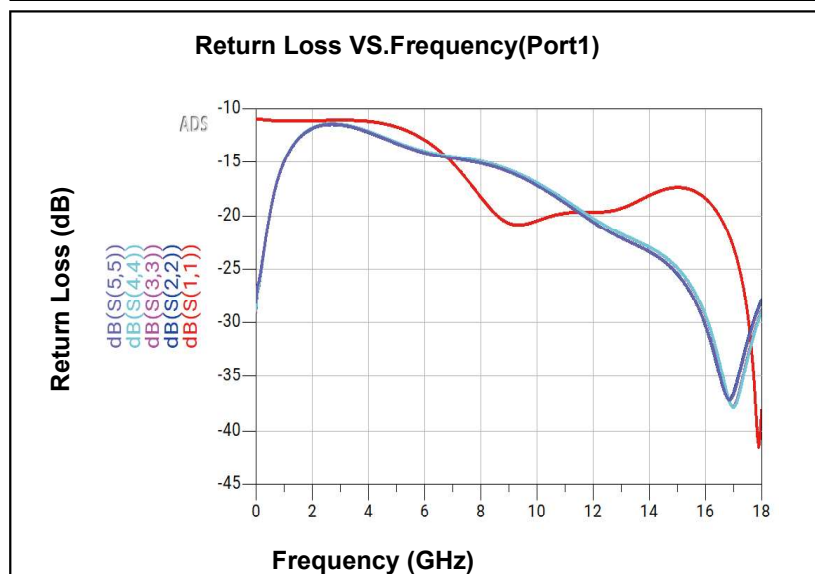
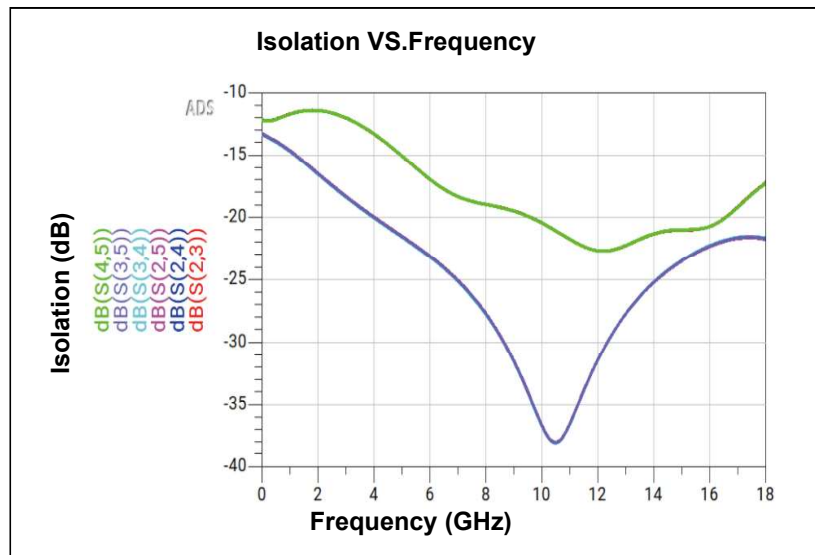
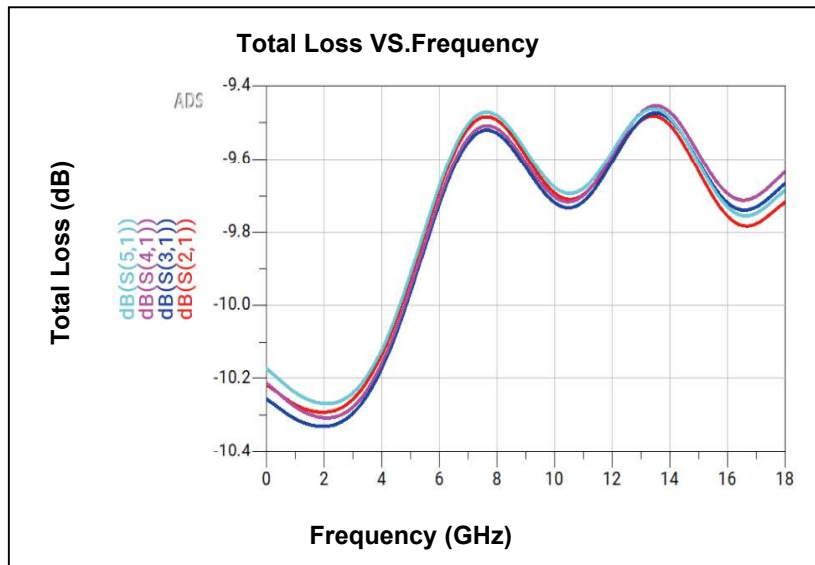
For detailed performance specs & shopping online see Yantel web site : www.yantel-corp.com

PD9000U06W

Patented Product

Power Divider/Combiner

4-Way 0° 50Ω DC-18GHz



Yantel Corporation

Add: 3F, Building 3, Southern District 2 of Zhongguan Honghualing Industrial Park, Xili, Nanshan, Shenzhen, China

Tel: 86-755-8355-1886 Fax: 86-755-8355-2533

Rev A1.0

For detailed performance specs & shopping online see Yantel web site : www.yantel-corp.com

PD9000U06W

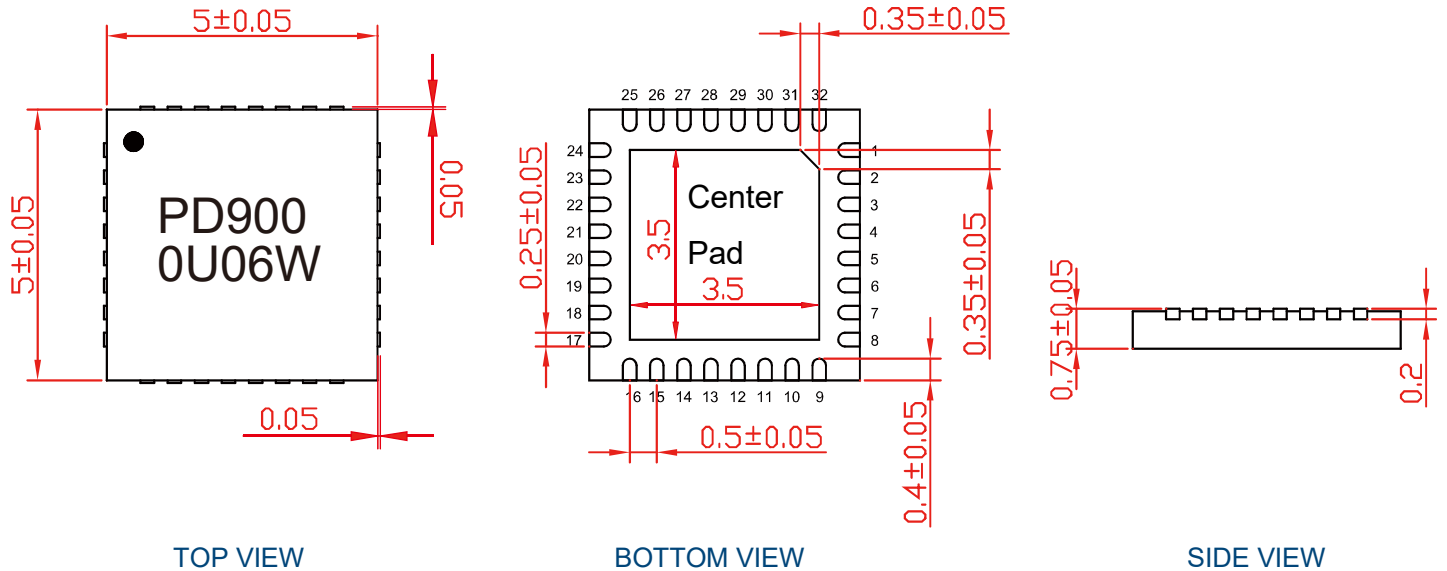
Patented Product

Power Divider/Combiner

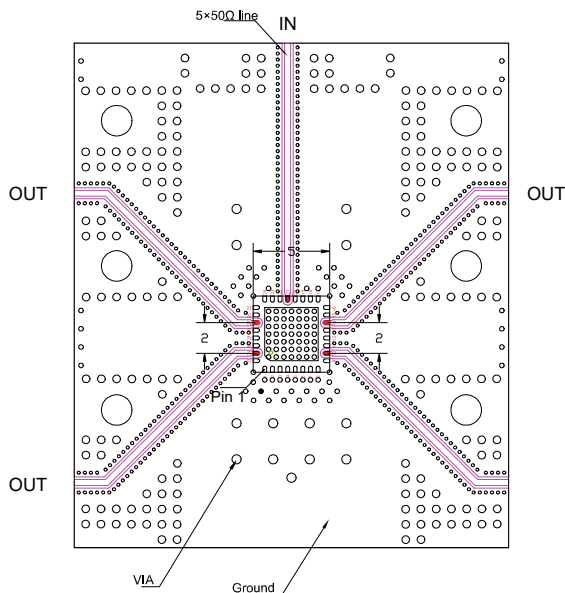
4-Way 0° 50Ω DC-18GHz



Outline Drawing units:mm

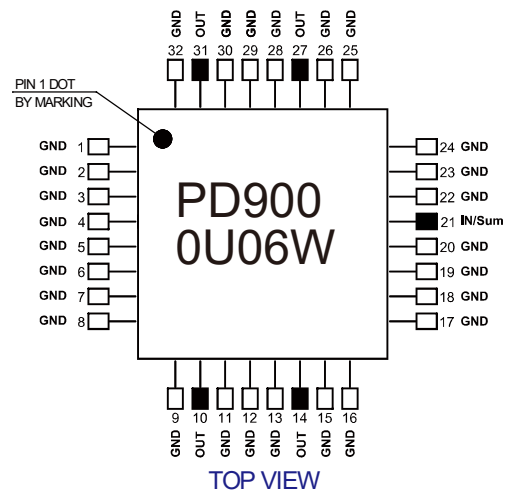


Land Pattern



NOTE:

1. 50Ω line width is shown above designing from RO4350B dielectric thickness 0.254mm; copper 1/2 OZ
2. Bottom side of the PCB is continuous ground plane.
3. All dimensions shown in mm.



Notes:

1. Require to add Capacitors of DC Blocker between Pins (with black color) and external circuit to prevent DC signal entry to guarantee parts normal work.
2. This part has passed through 100% RF test.

Pin #	Connection	Pin #	Connection	Pin #	Connection
1	GND	13	GNDa	25	GND
2	GND	14	OUT	26	GND
3	GND	15	GND	27	OUT
4	GND	16	GND	28	GND
5	GND	17	GND	29	GND
6	GND	18	GND	30	GND
7	GND	19	GND	31	OUT
8	GND	20	GND	32	GND
9	GND	21	IN	Center Pad	GND
10	OUT	22	GND		
11	GND	23	GND		
12	GND	24	GND		

Yantel Corporation

Add: 3F, Building 3, Southern District 2 of Zhongguan Honghualing Industrial Park, Xili, Nanshan, Shenzhen, China

Tel: 86-755-8355-1886 Fax: 86-755-8355-2533

Rev A1.0

For detailed performance specs & shopping online see Yantel web site : www.yantel-corp.com