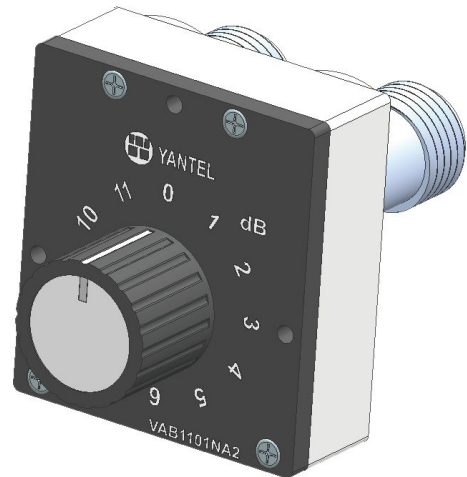


Variable Attenuator VAB Series

- ◆ DC to 2.7GHz
- ◆ 0 to 11dB in 1dB Step
- ◆ 2 Watt,5 Watt
- ◆ SMA Connectors, N type, BNC available

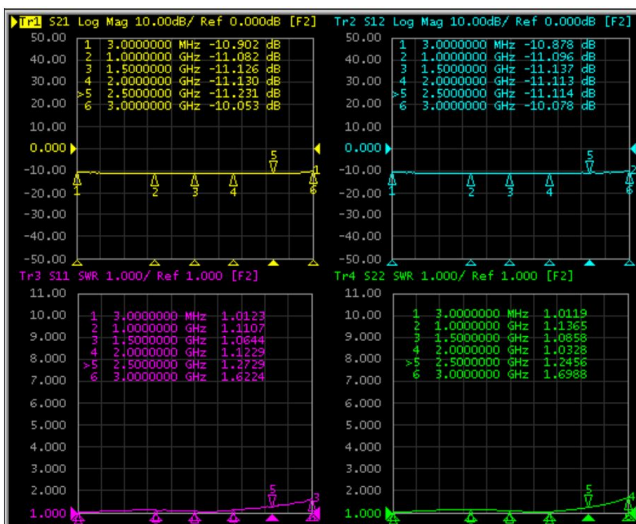


Features

- Ultra small size with innovative microstrip technology
- Available step value:0dB, 1dB, 2dB, 3dB, 4dB, 5dB, 6dB, 7dB, 8dB, 9dB, 10dB, 11dB.
- High accuracy
- High performance low cost
- Impedance: 50 or 75 ohm
- Operation repeatability:10000 times each switch
- POM material in rotary switch,operating up to 85°C

Characteristic

For example the testing curves of VAB1101NA2 of 11dB



Specifications

| | |
|------------------------------|--|
| Frequency Range | DC to 2.7GHz |
| Attenuation | 0 to 11dB |
| Step Value | 1dB |
| Insertion loss at 0dB | 0.5dB at 2GHz 1.0dB at 2.7GHz |
| Attenuation Accuracy | 0.2dB at 1GHz (typical) 0.5dB at 1GHz (max) 0.7dB at 2GHz (typical) 1.0dB at 2GHz (max) 0.7dB at 2.7GHz (typical) 1.5dB at 2.7GHz (max) |

| | |
|------------------------------|-----------------------|
| Nominal Impedance | 50 Ohm |
| Average Power | 2 Watt |
| Operating Temperature | -40°C to +85°C |

| Freq. Range (GHz) | VSWR(:1) | |
|-------------------|----------|------|
| | Typ. | Max. |
| DC to 2 | 1.10 | 1.35 |
| 2.0 to 2.5 | 1.25 | 1.50 |
| 2.5 to 2.7 | 1.35 | 1.60 |

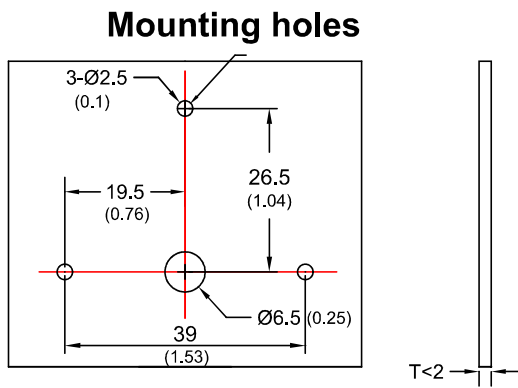
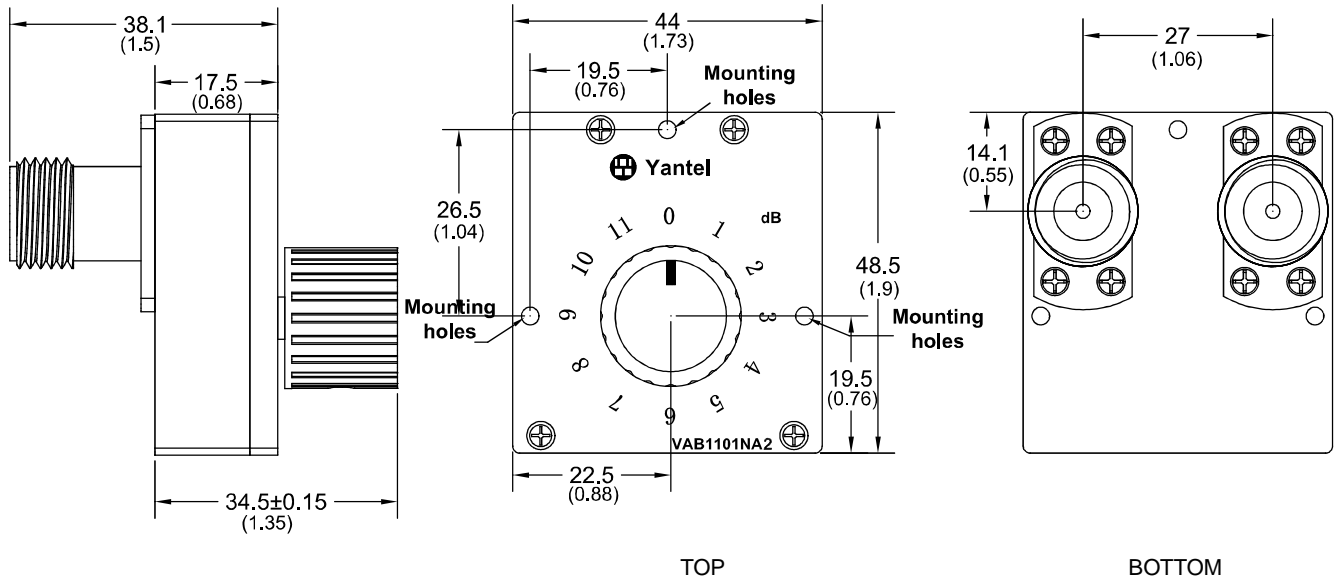
Yantel Corporation

Add:3F, Building 3, Southern District 2 of ZhongGuan Honghualing Industrial Park, Xili, Nanshan, Shenzhen, China

Tel: 86-755-8355-1886 Fax: 86-755-8355-2533

Package Outlines
N Connector

Units:mm(inch)



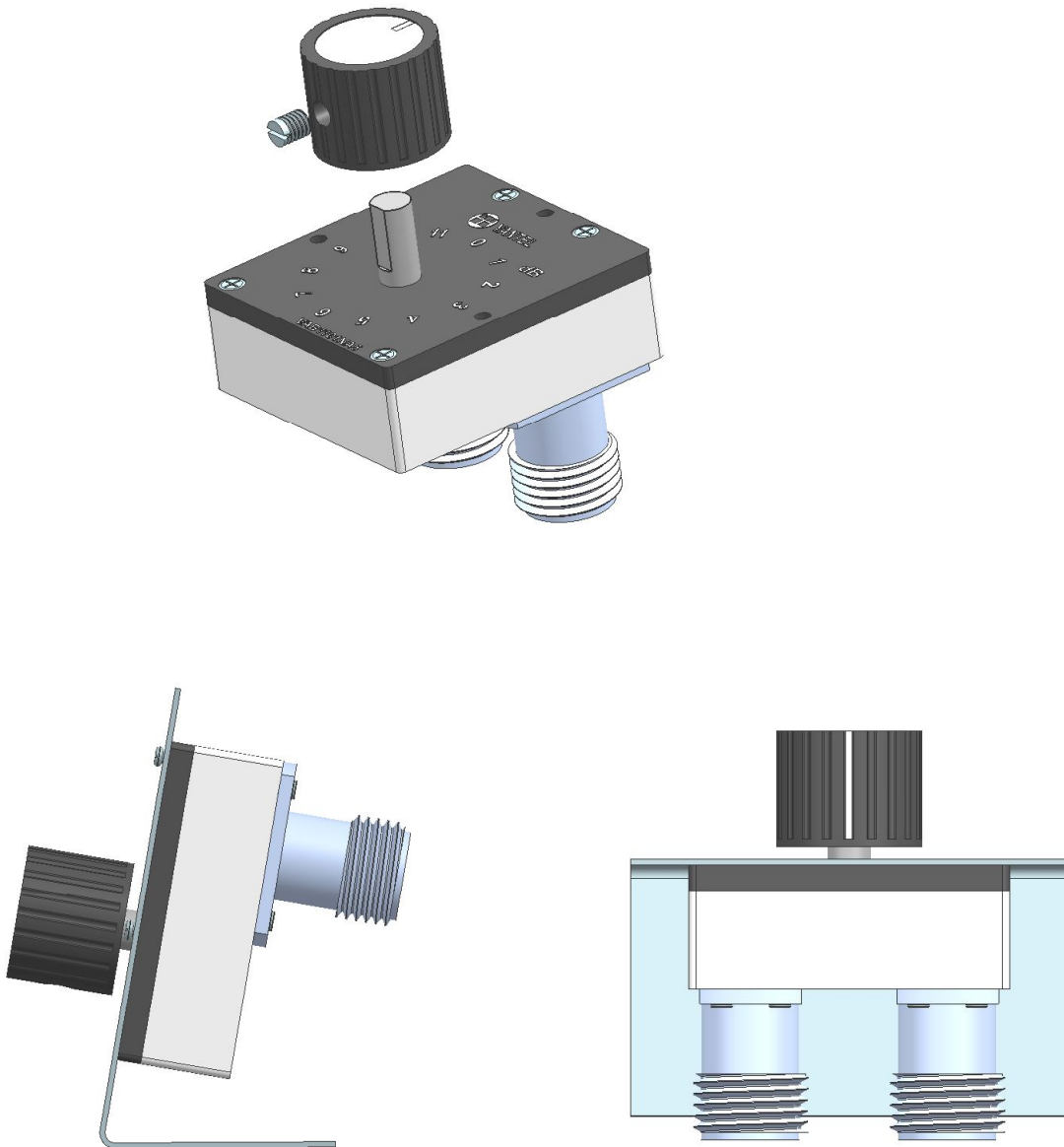
NOTE:

1. ALL dimensions shown in mm(tolerance: +/-0.2mm) unless stated otherwise
2. RoHS Compliant in accordance with EU Directive(2011/65/EU)

Application case:

Repeater: In deploying the indoor repeater system, Rotary Variable Attenuator is ideal to control the signal and keep each repeater in its specific coverage range.

This VAB series can be rack mountable, easier to operate from the rack outside.

**Application**