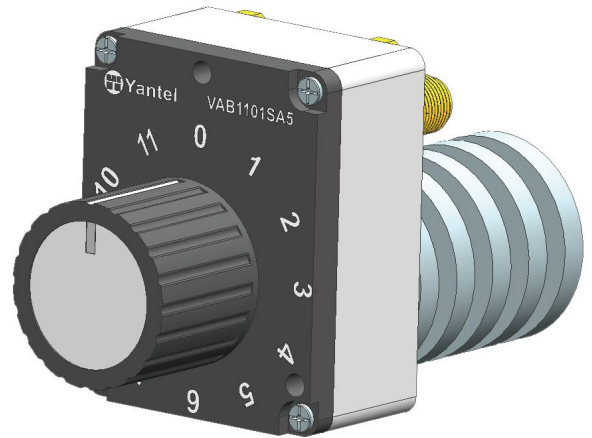


Variable Attenuator VAB Series

- ◆ DC to 2.7GHz
- ◆ 0 to 11dB in 1dB Step
- ◆ 2 Watt or 5 Watt
- ◆ SMA Connectors, N type, BNC available



Features

- Ultra small size with innovative microstrip technology
- Available step value:0dB, 1dB, 2dB, 3dB, 4dB, 5dB, 6dB, 7dB, 8dB, 9dB, 10dB, 11dB.
- High accuracy
- High performance low cost
- Impedance: 50 or 75 ohm
- Operation repeatability:10000 times each switch
- POM material in rotary switch,operating up to 85°C
- Smart size



Specifications

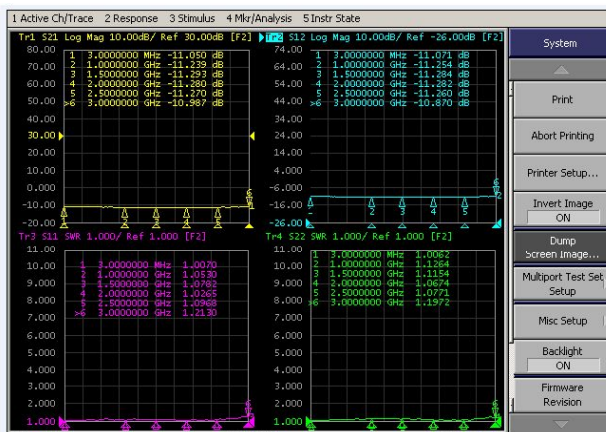
Frequency Range	DC to 2.7GHz
Attenuation	0 to 11dB
Step Value	1dB
Insertion loss at 0dB	0.4dB at 2.7GHz

Attenuation Accuracy
±0.5 dB from DC to 2.7GHz (typical)

Nominal Impedance	50 Ohm
Average Power	5 Watt
Operating Temperature	-40°C to +85°C

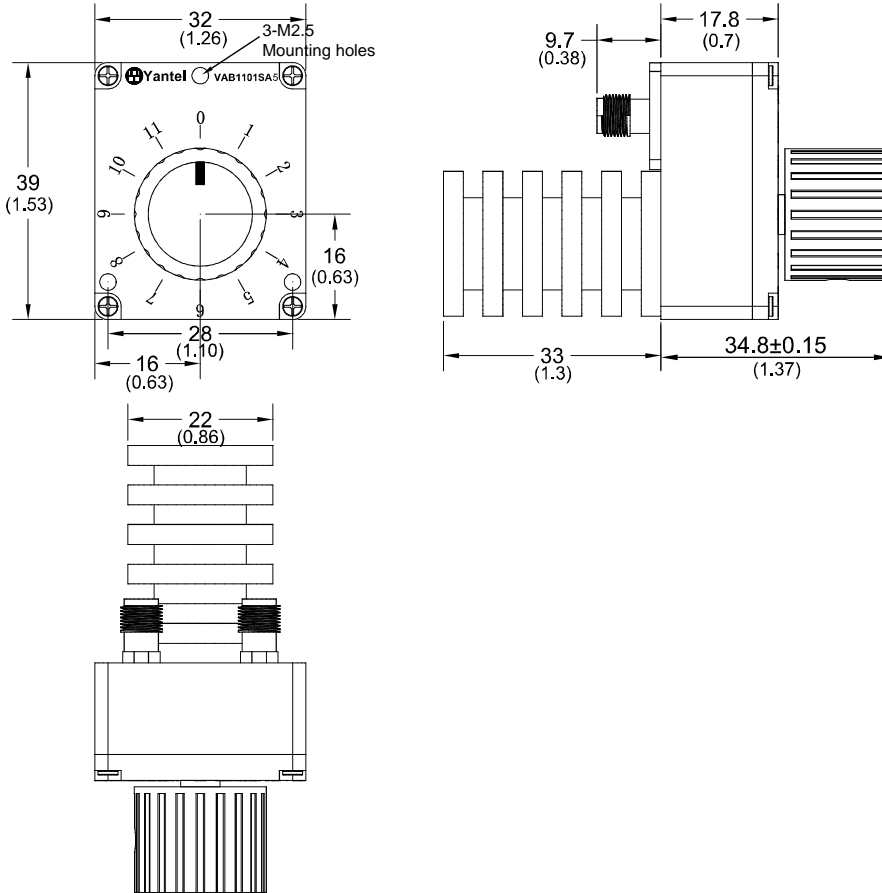
Characteristic

For example the testing curves of VAB1101SA5 of 11dB

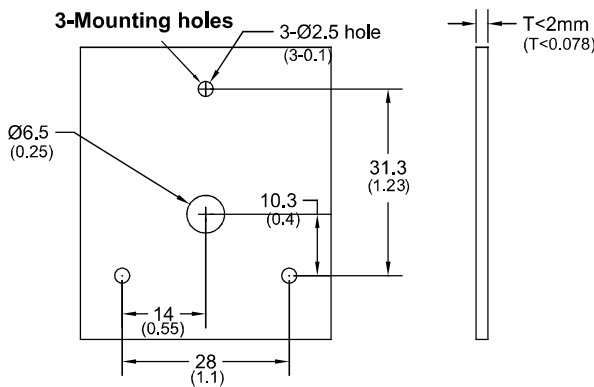


Freq. Range (GHz)	VSWR(:1)	
	Typ.	Max.
DC to 2.7	1.15	1.35

Package Outlines
SMA Connector units:mm (inch)



Mounting holes



Panel

NOTE:

1. ALL dimensions shown in mm(tolerance: +/-0.2mm) unless stated otherwise
2. RoHS Compliant in accordance with EU Directive(2011/65/EU)

Yantel Corporation

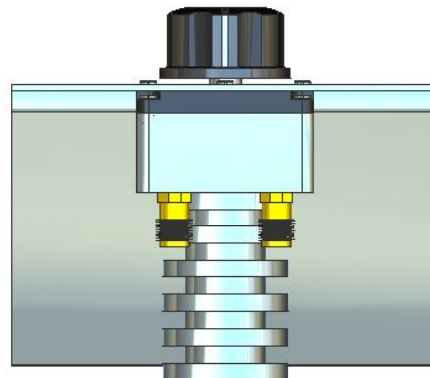
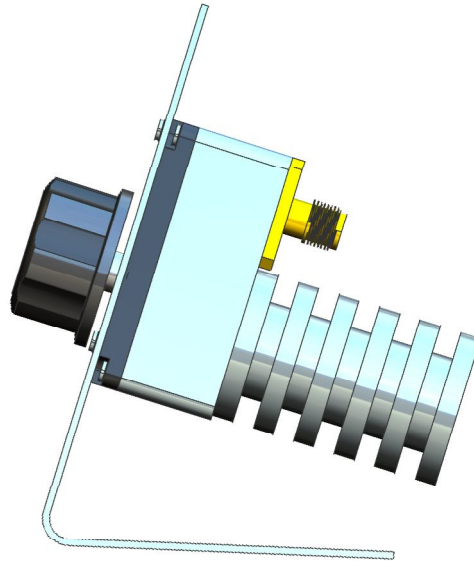
Add:3F, Building 3, Southern District 2 of ZhongGuan Honghualing Industrial Park, Xili, Nanshan, Shenzhen, China

Tel: 86-755-8355-1886 Fax: 86-755-8355-2533

Application case:

Repeater: In deploying the indoor repeater system, Rotary Variable Attenuator is ideal to control the signal and keep each repeater in its specific coverage range.

This VAB series can be rack mountable, easier to operate from the rack outside.

**Application**