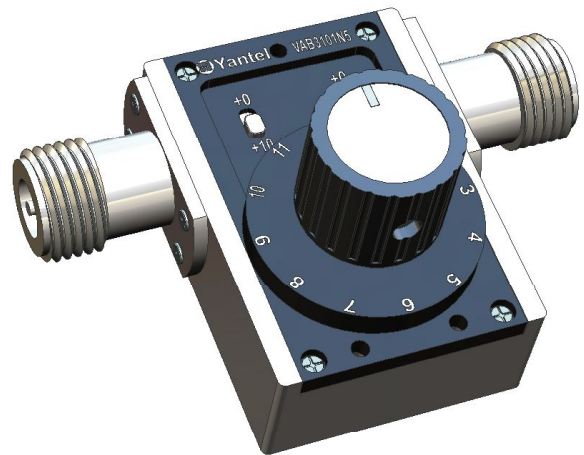


Variable Attenuator VAB Series

- ◆ DC to 2.7GHz
- ◆ 0 to 31 dB in 1 dB Step
- ◆ 2 Watt or 5 Watt
- ◆ SMA Connectors, N type, BNC available



Features

- Ultra small size with innovative microstrip technology
- Available step value:0~31dB.
- High accuracy
- High performance low cost
- Impedance: 50 or 75 ohm
- Operation repeatability:10000 times each switch
- POM material in rotary switch,operating up to 85°C

Specifications

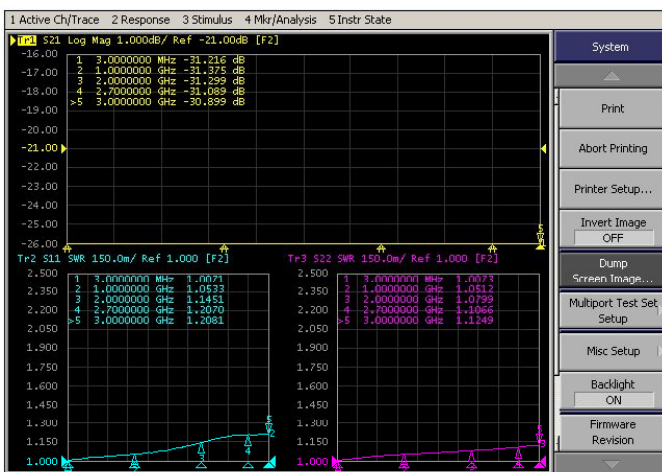
Frequency Range	DC to 2.7GHz
Attenuation	0 to 31dB
Step Value	1 dB
Insertion loss at 0dB	0.3dB at 2GHz 0.65dB at 2.7GHz

Attenuation Accuracy (typical)
-0.5 to +1dB from DC to 2.7GHz

Nominal Impedance	50 Ohm
Average Power	5 Watt
Operating Temperature	-40°C to +85°C

Characteristic

For example the testing curves of VAB3101N5* of 31dB

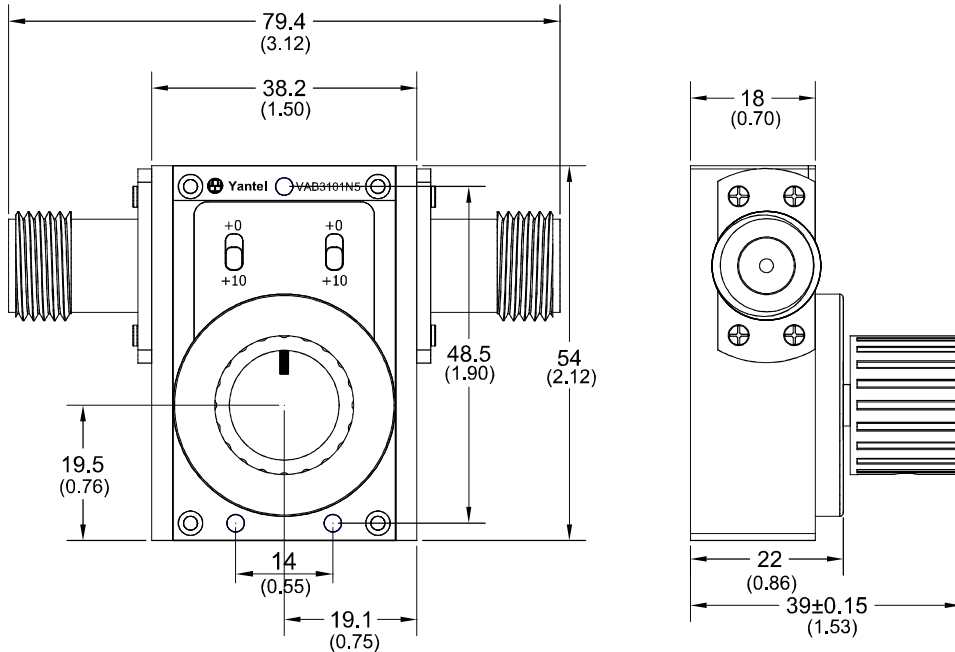


Attenuation 0~31dB

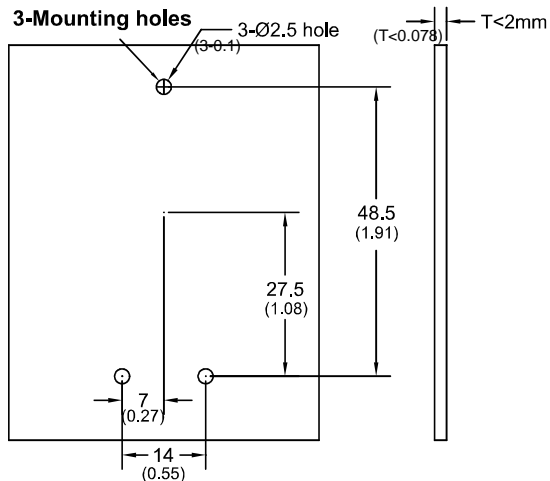
Freq. Range (GHz)	VSWR(:1)	
	Typ.	Max.
DC to 2.7	1.15	1.35

Package Outlines
N Connector

Units:mm(inch)



Mounting holes



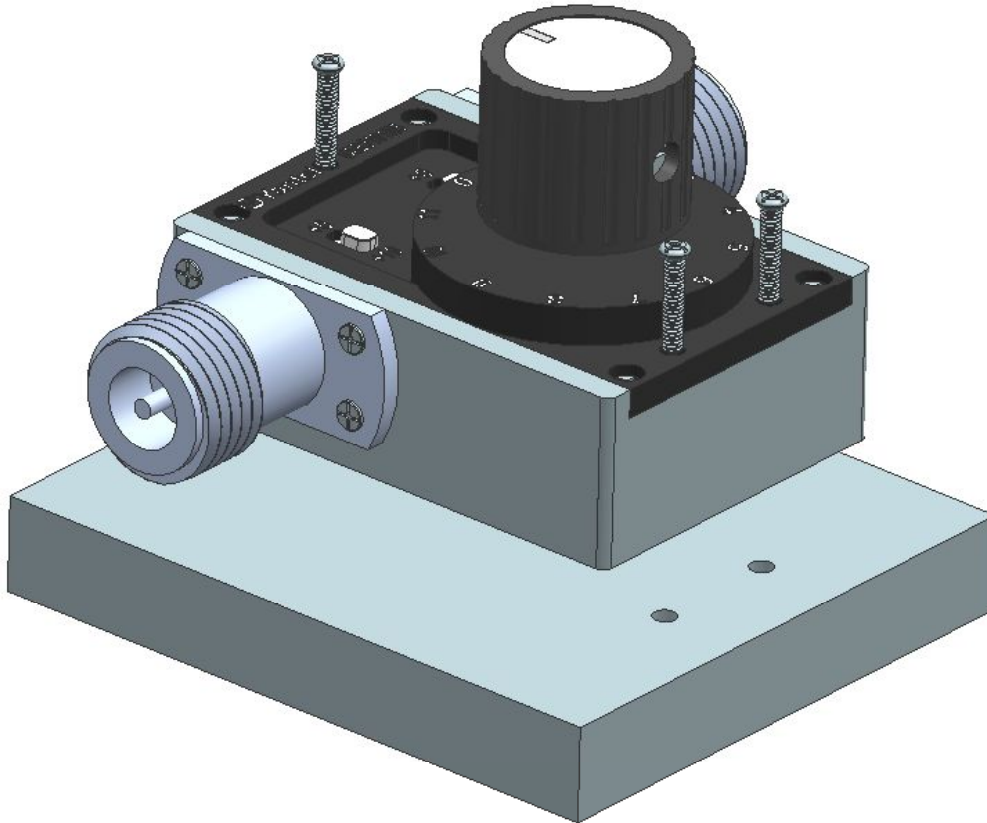
NOTE:

1. ALL dimensions shown in mm (tolerance: +/-0.2 mm) unless stated otherwise
2. RoHS Compliant in accordance with EU Directive(2011/65/EU)

Application case:

Repeater: In deploying the indoor repeater system, Rotary Variable Attenuator is ideal to control the signal and keep each repeater in its specific coverage range.

This VAB series can be rack mountable, easier to operate from the rack outside.

**Application**