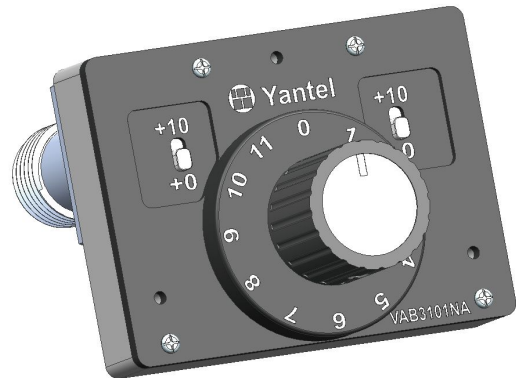


## Variable Attenuator VAB Series

- ◆ DC to 3GHz
  - ◆ 0 to 31 dB in 1 dB Step
  - ◆ 2 Watt or 5 Watt
- SMA Connectors, N type, BNC available

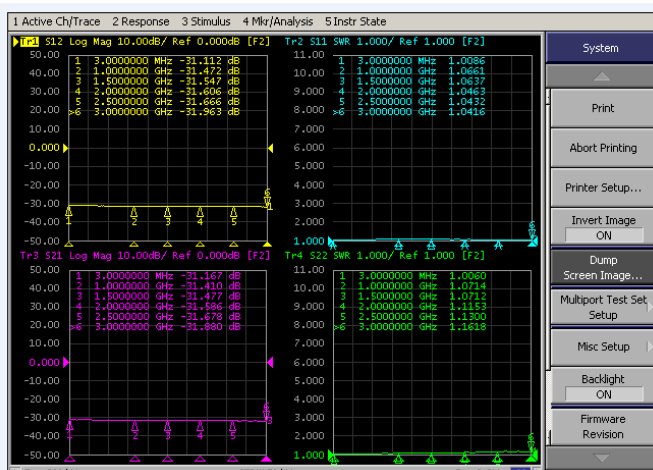


### Features

- Ultra small size with innovative microstrip technology
- Available step value:0~31dB.
- High accuracy
- High performance low cost
- Impedance: 50 or 75 ohm
- Operation repeatability:1000 times each switch
- Polycarbonate material in rotary switch, operating up to 120°C

### Characteristic

For example the testing curves of VAB3101NA2 of 31 dB



### Specifications

<b>Frequency Range</b>	DC to 2.7GHz
<b>Attenuation</b>	0 to 31dB
<b>Step Value</b>	1 dB
<b>Insertion loss at 0dB</b>	0.7dB at 2GHz 1.2dB at 2.7GHz

<b>Attenuation Accuracy</b>	0.3dB at 1GHz (typical) 0.5dB at 1GHz (max)
-----------------------------	--

	0.7dB at 2GHz (typical) 1.1dB at 2GHz (max)
--	--

	1.3dB at 2.7GHz (typical) 1.5dB at 2.7GHz (max)
--	--

<b>Nominal Impedance</b>	50 Ohm
<b>Average Power</b>	2 Watt
<b>Operating Temperature</b>	-40°C to +85°C
<b>Attenuation 0dB</b>	

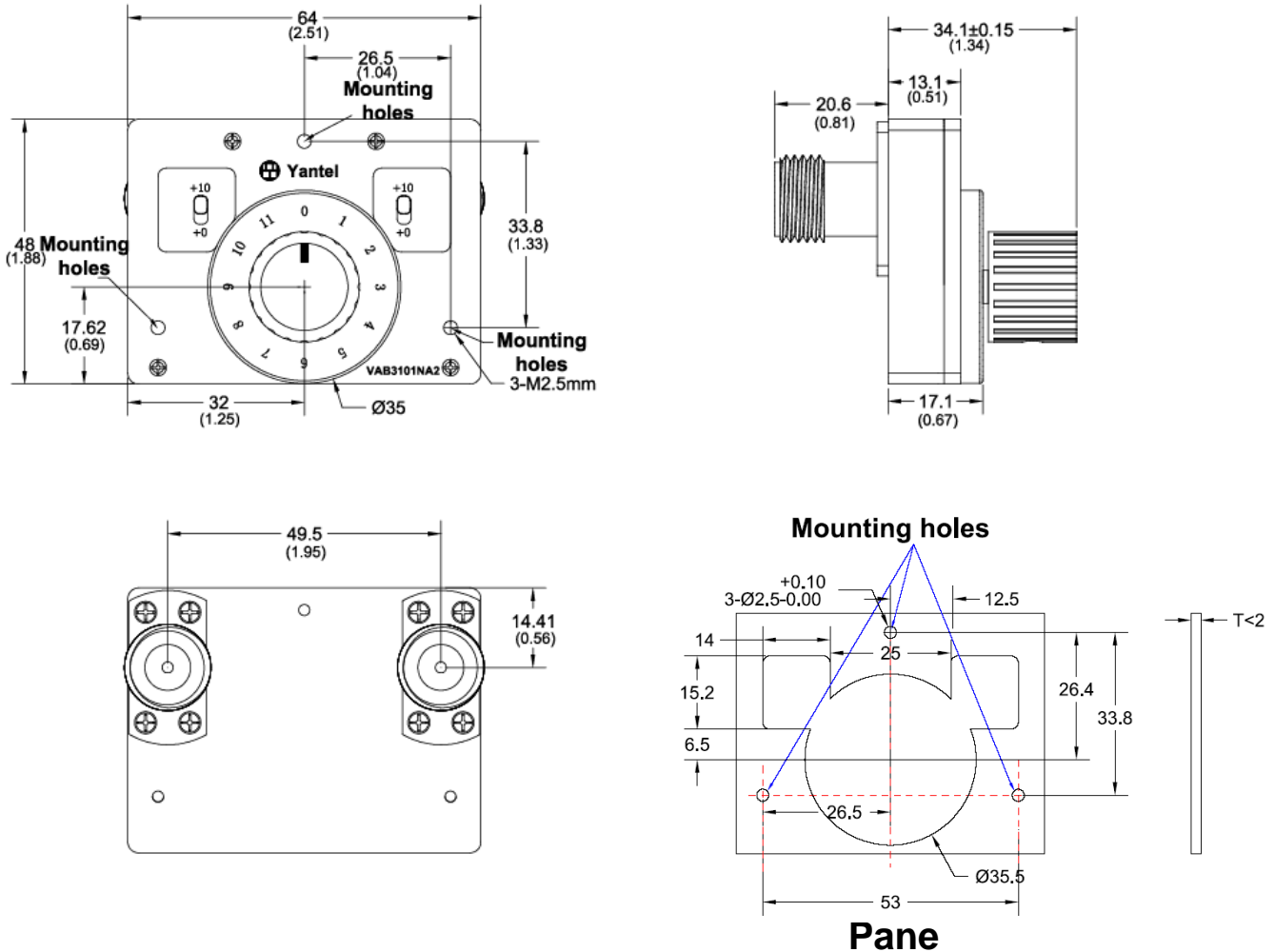
Freq. Range (GHz)	VSWR(:1)	
	Typ.	Max.
DC to 1.5	1.15	1.35
1.5 to 2.5	1.35	1.50
2.5 to 2.7	1.15	1.35

#### Attenuation 1~11dB

Freq. Range (GHz)	VSWR(:1)	
	Typ.	Max.
DC to 2	1.15	1.35
2 to 2.5	1.30	1.50
2.5 to 2.7	1.45	1.60

#### Attenuation 12~31dB

Freq. Range (GHz)	VSWR(:1)	
	Typ.	Max.
DC to 2.7	1.10	1.35

**Package Outlines**  
**N Connector**

**Units:mm**
**NOTE:**

1. ALL dimensions shown in mm (tolerance: +/-0.2mm) unless stated otherwise
2. RoHS Compliant in accordance with EU Directive (2011/65/EU)

**Yantel Corporation**

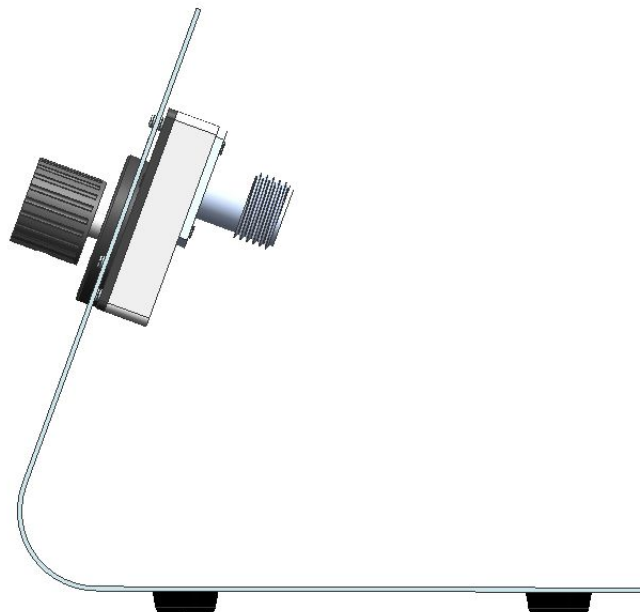
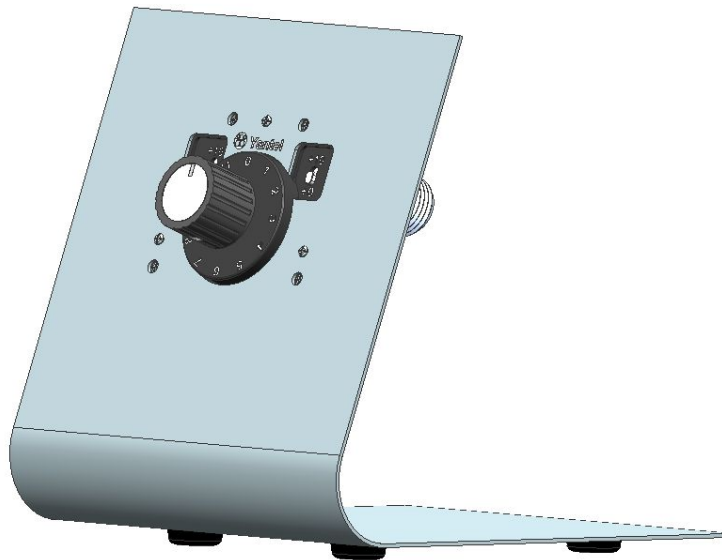
 Add: 3F, Building 3, Southern District 2 of ZhongGuan Honghualing Industrial Park, Xili, Nanshan, Shenzhen, China  
 Tel: 86-755-8355-1886 Fax: 86-755-8355-2533

---

**Application case:**

**Repeater:** In deploying the indoor repeater system, Rotary Variable Attenuator is ideal to control the signal and keep each repeater in its specific coverage range.

This VAB series can be rack mountable, easier to operate from the rack outside.

**Application**

Yantel Corporation

Add: 3F, Building 3, Southern District 2 of ZhongGuan Honghualing Industrial Park, Xili, Nanshan, Shenzhen, China  
Tel: 86-755-8355-1886 Fax: 86-755-8355-2533