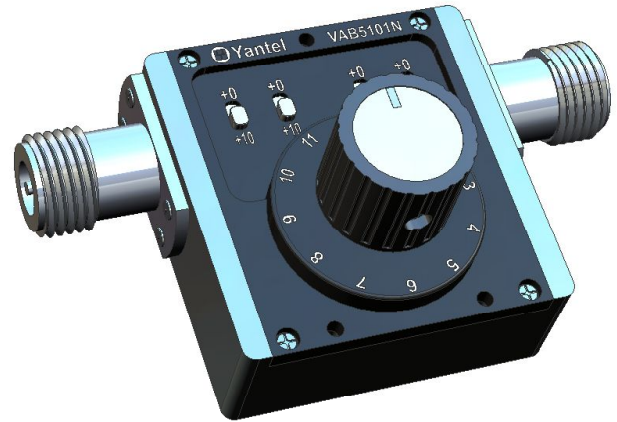


Variable Attenuator VAB Series

- ◆ DC to 2.7GHz
- ◆ 0 to 51 dB in 1 dB Step
- ◆ 2 Watt or 5 Watt



Features

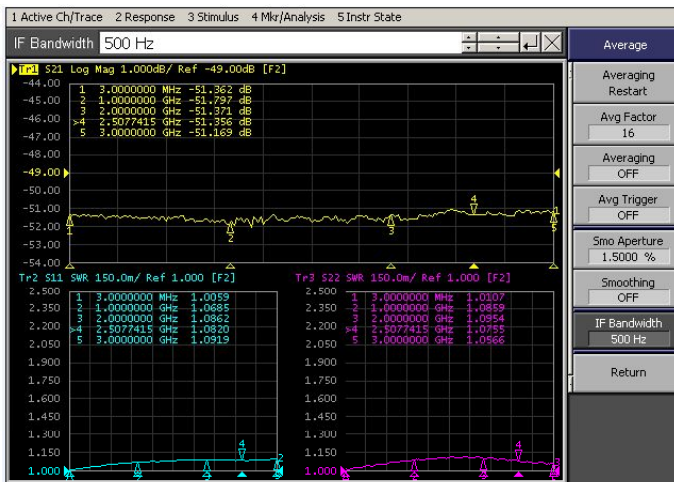
- Ultra small size with innovative microstrip technology
- Available step value:0~51dB.
- High accuracy
- High performance low cost
- Impedance: 50 or 75 ohm
- Operation repeatability:10000 times each switch
- POM material in rotary switch,operating up to 85°C
- Smart size

Specifications

Frequency Range	DC to 2.7GHz
Attenuation	0 to 51dB
Step Value	1 dB
Insertion loss at 0dB	0.85dB at 2GHz 1.4dB at 2.7GHz
Attenuation Accuracy (typical)	-0.65dB to +1.5dB from DC to 2.7GHz

Characteristic

For example the testing curves of VAB5101N5 of 51 dB

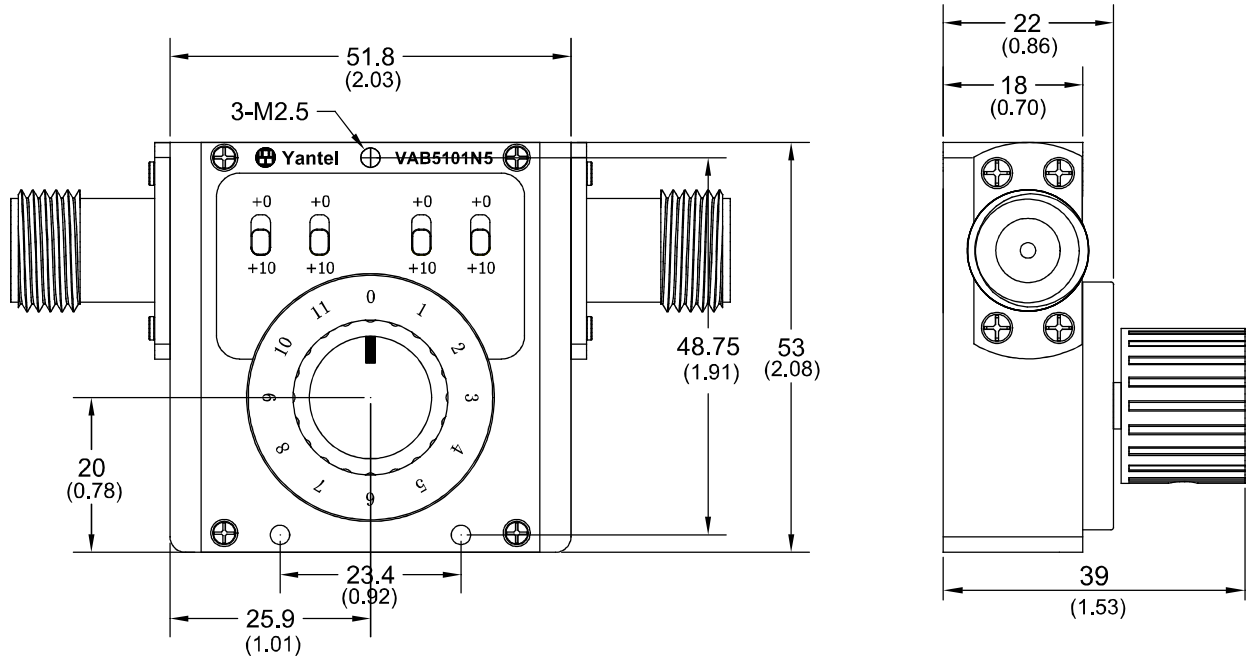


Nominal Impedance	50 Ohm
Average Power	5 Watt
Operating Temperature	-40°C to +85°C

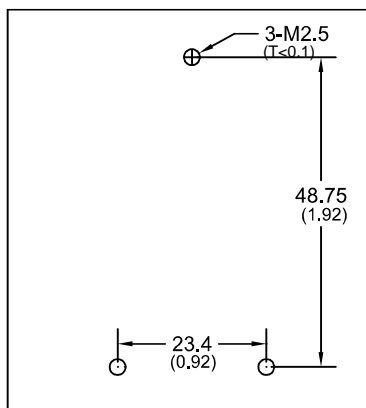
Attenuation 0~51dB

Freq. Range (GHz)	VSWR(:1)	
	Typ.	Max.
DC to 2.7	1.25	1.40

Package Outlines Unit:mm (inch)



Mounting holes



Panel

NOTE:

1. ALL dimensions shown in mm (tolerance: +/-0.2mm) unless stated otherwise
2. RoHS Compliant in accordance with EU Directive (2011/65/EU)

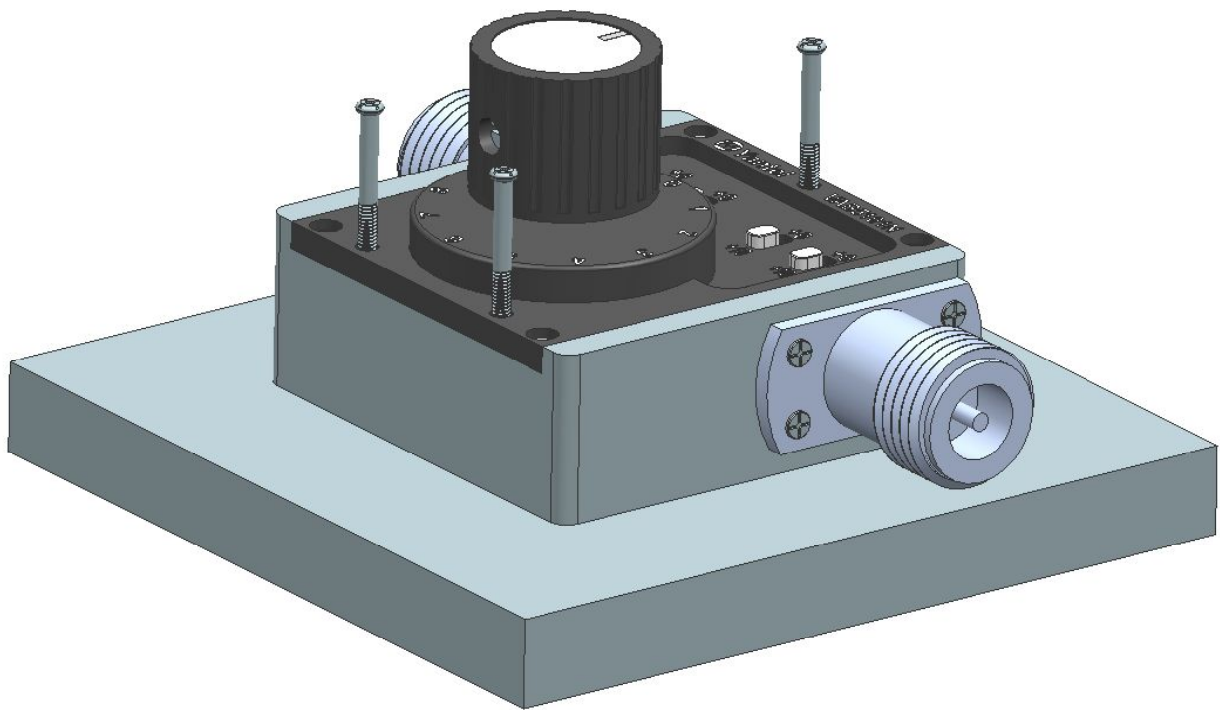
Yantel Corporation

Add: 3F, Building 3, Southern District 2 of ZhongGuan Honghualing Industrial Park, Xili, Nanshan, Shenzhen, China
 Tel: 86-755-8355-1886 Fax: 86-755-8355-2533

Application case:

Repeater: In deploying the indoor repeater system, Rotary Variable Attenuator is ideal to control the signal and keep each repeater in its specific coverage range.

This VAB series can be rack mountable, easier to operate from the rack outside.

**Application**