

Variable Attenuator VAX Series

- ◆ DC to 6.0GHz
- ◆ 0 to 90 dB in 1 dB Step
- ◆ 5 Watt or 10 Watt



Features

- Ultra small size with innovative microstrip technology
- Available step value:0~90dB.
- High accuracy
- High performance low cost
- Impedance: 50 ohm
- Operation repeatability:5000 times each switch
- POM material in rotary switch,operating up to 85°C
- Smart size

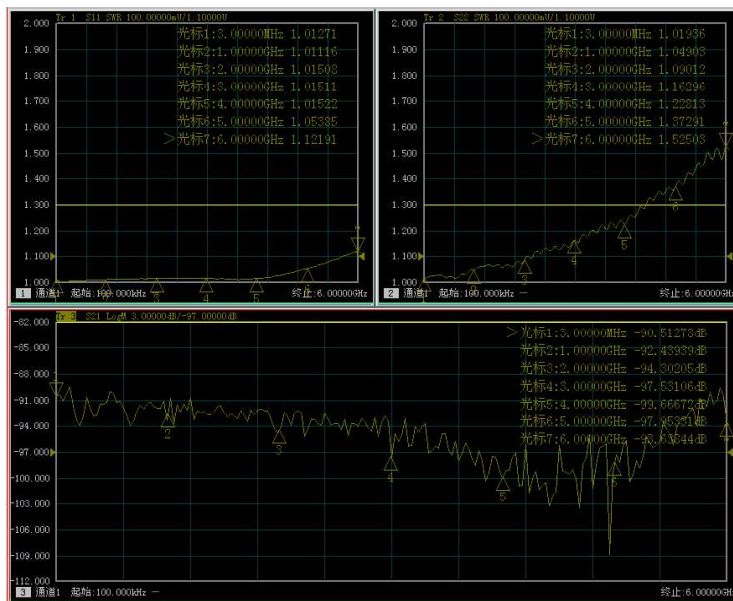
Specifications

Frequency Range	DC to 6.0GHz
Attenuation	0 to 90dB
Step Value	1 dB
Insertion loss at 0dB	±1.8dB from DC to 6.0GHz
Attenuation Accuracy (typical)	±0.8dB from DC to 6.0GHz(≤60dB) ±1.8dB from DC to 6.0GHz(>60dB)

Nominal Impedance	50 Ohm
Average Power	5 Watt
Operating Temperature	-40°C to +85°C

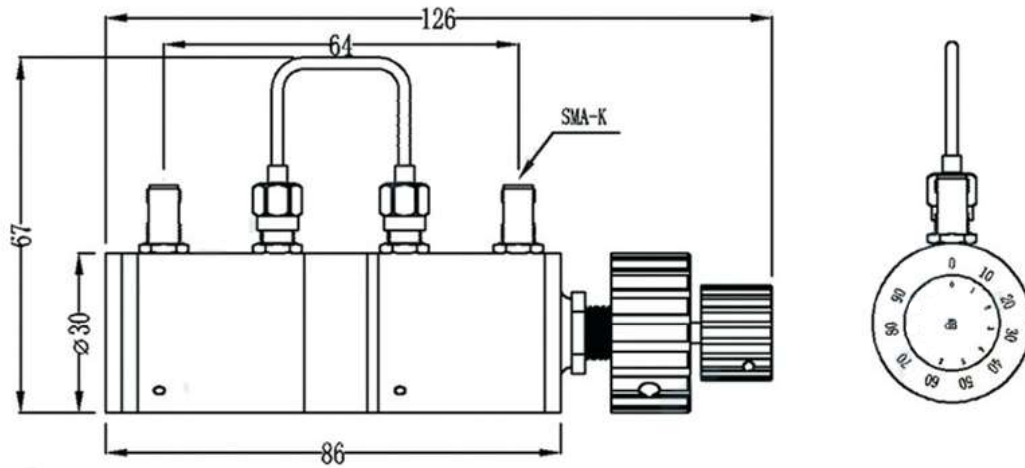
Characteristic

For example the testing curves of VAX069001 of 90 dB



Attenuation 0~70dB

Freq. Range (GHz)	VSWR(:1)	
	Typ.	Max.
DC to 3.0	1.20	1.50

Package Outlines Units:mm**NOTE :**

1. ALL dimensions shown in mm (tolerance: +/-0.2 mm) unless stated otherwise
2. RoHS Compliant in accordance with EU Directive (2011/65/EU)

Yantel Corporation

Add: No.308-322, 3F, Building 1, Juchuang Jingu Innovation Park, Wenyuan Road 35, Xili Street, Nanshan, Shenzhen, China
Tel: 86-755-8355-1886 Fax: 86-755-8355-2533