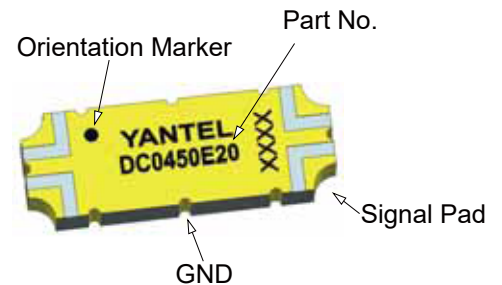


Description

The products are widely used in China and global 4G/5G base station, 5G network coverage, BeiDou navigation antenna, vehicle-mounted high-precision navigation (unmanned) antenna and other applications. The products have miniaturization, low-loss, wide-bandwidth, high power density, high reliability, high cost-effective and other competitive advantages.



Features:

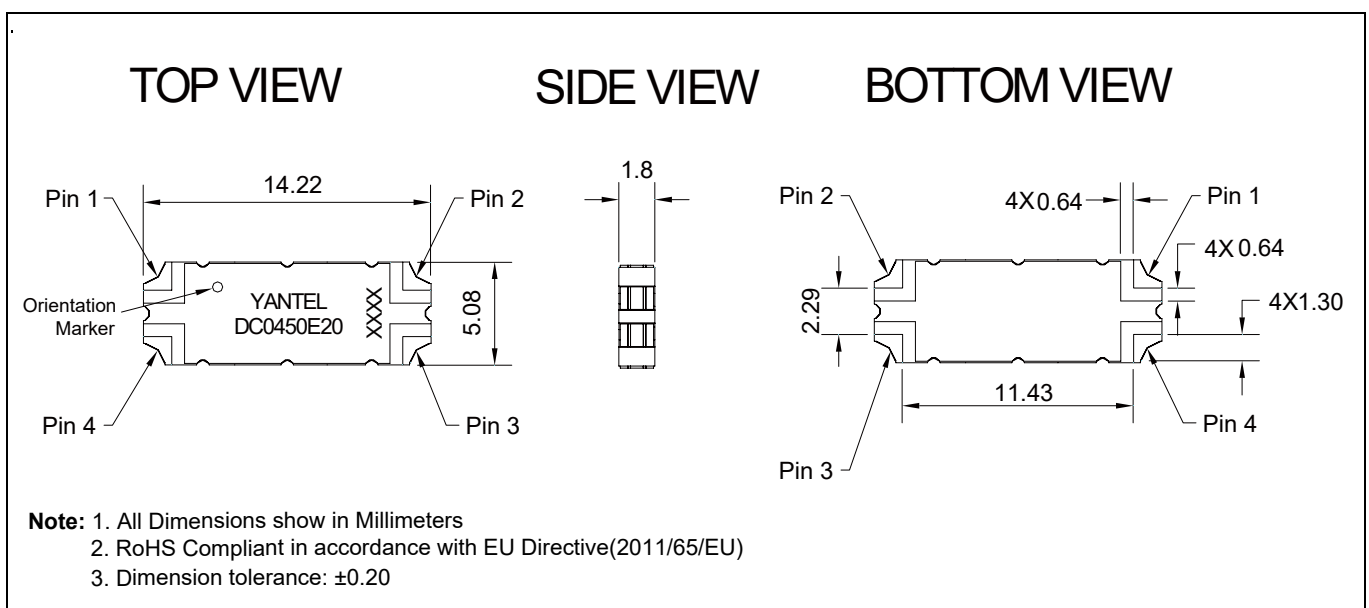
- 350-520 MHz
- AMPS
- Low Insertion Loss
- High Directivity
- Low VSWR
- Good Repeatability
- CTE compatible with FR4, G-10, RF-35, RO4350B and polyimide
- Immersion gold, prevent surface oxidation & scratch
- RoHS Compliant
- Tape & Reel Package available

Electrical Specifications

Frequency	Coupling	Directivity	VSWR
MHz	dB	dB Min	Max : 1
350 - 400	20.0±1.0	18	1.30
400 - 470	20.0±0.5	20	1.20
470 - 520	20.0±0.4	20	1.20
Insertion Loss	Power	Operating Temp.	
dB Max	Avg. CW Watts	°C	
0.20	100	-55 to +85	
0.20			
0.20			

Note:

1. All above test data resulting from specify demo board.
2. Insertion loss has removed the thru board loss.



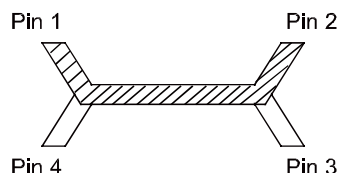
Yantel Corporation

Add: 3F, Building 3, Southern District 2 of Zhongguan Honghualing Industrial Park, Xili, Nanshan, Shenzhen, China
 Tel: 86-755-8355-1886 Fax: 86-755-8355-2533

For detailed performance specs & shopping online see Yantel web site : www.yantel-corp.com

Directional Coupler Pin Configuration

The DC0450E20 has an orientation marker to denote Pin 1. Once port one has been identified the other ports are known automatically. Please see the chart below for clarification:



Pin 1	Pin 2	Pin 3	Pin 4
Input	Transmission	Isolate	Coupling
Transmission	Input	Coupling	Isolate

Typical Performance Data (@25°C)

Frequency (MHz)	Coupling (dB)	Transmission (dB)	Insertion Loss (dB)	Directivity (dB)	Return Loss(dB)			
					S11	S22	S33	S44
340	-21.31	-0.23	-0.20	-18.34	-16.86	-17.70	-17.87	-17.75
350	-21.16	-0.23	-0.19	-18.71	-17.00	-17.78	-17.98	-28.43
360	-21.01	-0.22	-0.18	-19.09	-17.16	-17.88	-18.12	-28.30
370	-20.86	-0.23	-0.19	-19.50	-17.33	-18.07	-18.28	-28.18
380	-20.72	-0.23	-0.19	-19.95	-17.51	-18.28	-18.48	-28.06
390	-20.58	-0.23	-0.19	-20.44	-17.69	-18.51	-18.69	-27.95
400	-20.47	-0.23	-0.19	-20.85	-17.95	-18.79	-18.95	-27.84
410	-20.35	-0.22	-0.18	-21.21	-18.23	-19.10	-19.25	-27.73
420	-20.22	-0.22	-0.17	-21.52	-18.56	-19.45	-19.58	-27.62
430	-20.13	-0.23	-0.19	-21.88	-19.00	-19.88	-19.96	-27.52
440	-20.05	-0.24	-0.19	-22.10	-19.50	-20.37	-20.40	-27.42
450	-19.97	-0.23	-0.18	-22.16	-20.06	-20.92	-20.90	-27.33
460	-19.87	-0.21	-0.16	-22.19	-20.64	-21.58	-21.48	-27.23
470	-19.80	-0.20	-0.16	-22.10	-21.29	-22.34	-22.15	-27.14
480	-19.74	-0.21	-0.16	-21.90	-22.05	-23.23	-22.92	-27.06
490	-19.68	-0.20	-0.15	-21.56	-22.96	-24.28	-23.85	-26.97
500	-19.62	-0.21	-0.16	-21.16	-24.04	-25.49	-24.94	-26.89
510	-19.59	-0.24	-0.19	-20.71	-25.37	-26.93	-26.24	-26.81
520	-19.59	-0.24	-0.19	-20.16	-27.09	-28.69	-27.78	-26.74
530	-19.57	-0.22	-0.17	-19.62	-29.33	-30.97	-29.61	-26.67
540	-19.54	-0.22	-0.17	-19.10	-32.45	-34.19	-31.87	-26.62

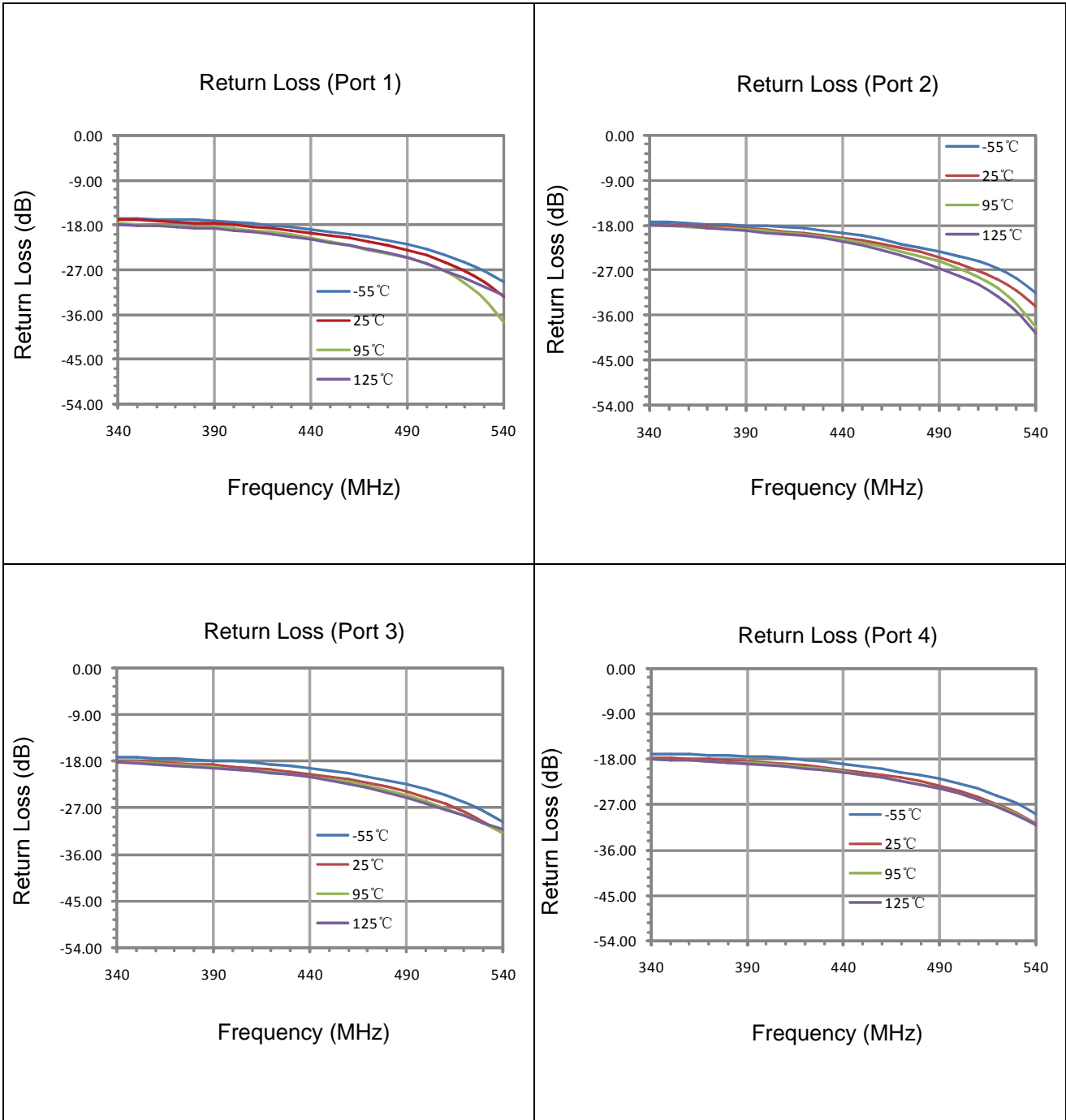
Yantel Corporation

Add: 3F, Building 3, Southern District 2 of Zhongguan Honghualing Industrial Park, Xili, Nanshan, Shenzhen, China

Tel: 86-755-8355-1886 Fax: 86-755-8355-2533

For detailed performance specs & shopping online see Yantel web site : www.yantel-corp.com

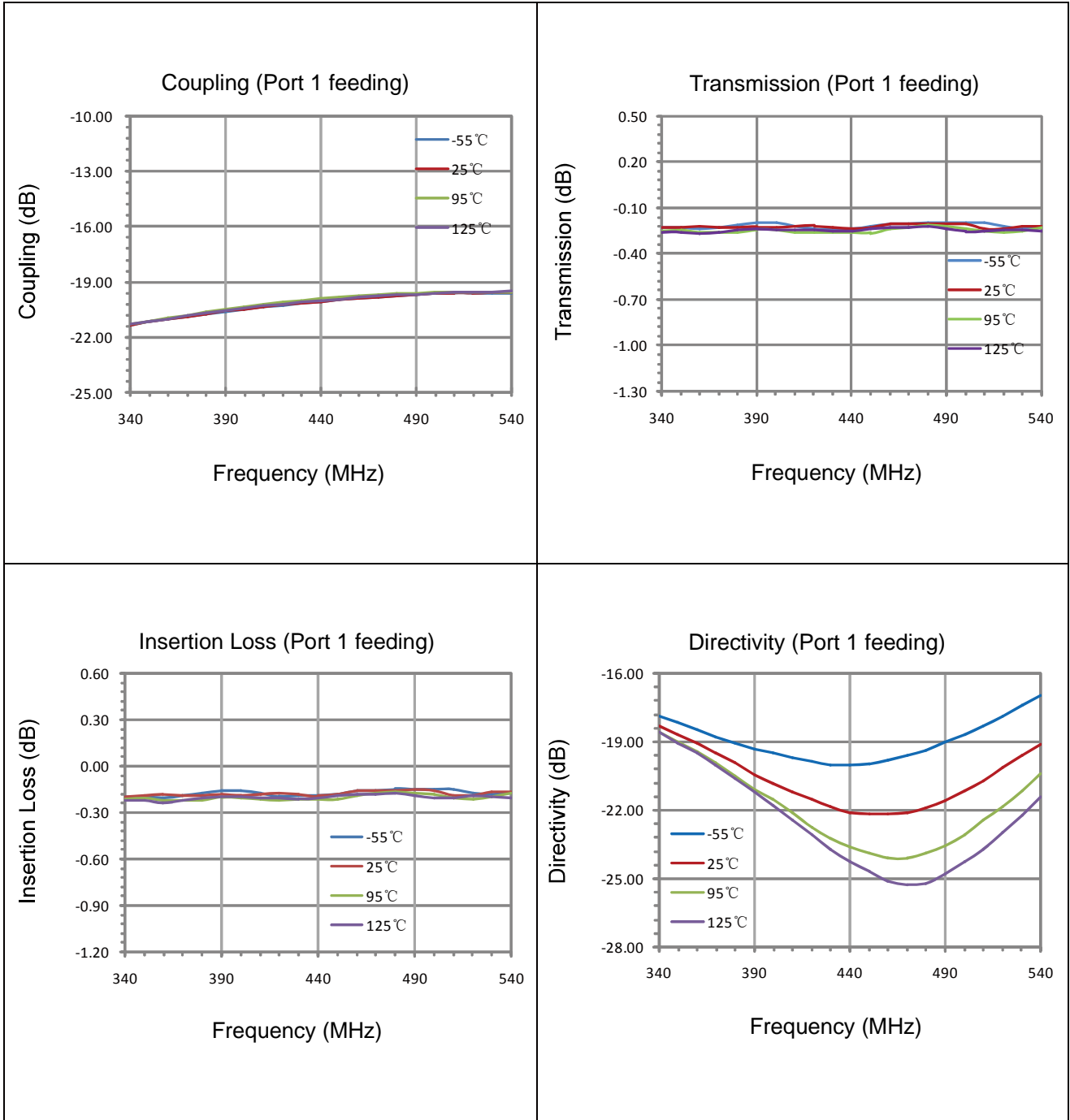
Typical Performance (-55°C, 25°C, 95°C, 125°C: 340-540 MHz)



Yantel Corporation

Add: 3F, Building 3, Southern District 2 of Zhongguan Honghualing Industrial Park, Xili, Nanshan, Shenzhen, China
 Tel: 86-755-8355-1886 Fax: 86-755-8355-2533
 For detailed performance specs & shopping online see Yantel web site : www.yantel-corp.com

Typical Performance (-55°C, 25°C, 95°C, 125°C: 340-540 MHz)



Yantel Corporation

Add: 3F, Building 3, Southern District 2 of Zhongguan Honghualing Industrial Park, Xili, Nanshan, Shenzhen, China
 Tel: 86-755-8355-1886 Fax: 86-755-8355-2533
 For detailed performance specs & shopping online see Yantel web site : www.yantel-corp.com

Description of Measured Specifications

Parameter	Description
VSWR	Voltage standing wave ratio, the impedance match to $50\ \Omega$, the ideal value is 1:1.
Return Loss	Loss of signal power resulting from the reflection caused by discontinuity of transmission line.
Insertion Loss	The input power divided by sum of power at the coupling port & transmission port.
Coupling	The input power divided by the power at coupling port.
Transmission	The input power divided by the power at transmission port.
Directivity	The power at the coupling port divided by the power at the isolated.
Phase Balance	The difference between coupling port and transmission port.

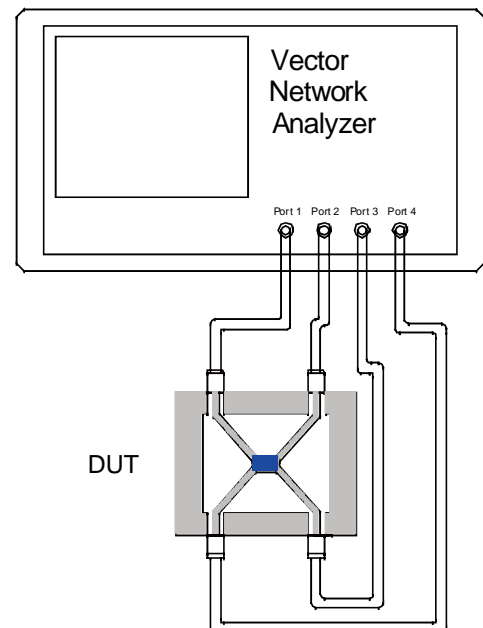
Test Method

1. Calibrating your vector network analyzer.
2. Connect the VNA 4 Port to DUT respectively.
3. Measure the data of coupling through port 1 to port 4(S41).
4. Measure the data of transmission through port 1 to port 2(S21).
5. Measure the data of isolation through port 1 to port 3(S31).
6. Measure the data of return loss port 1, port 2, port 3 & port 4.
7. According to the above data to calculate insertion loss, directivity.

Note:

1. When calculating insertion loss at room temperature, coupling & transmission data both need remove demo board loss. Please see demo board loss data below the table :

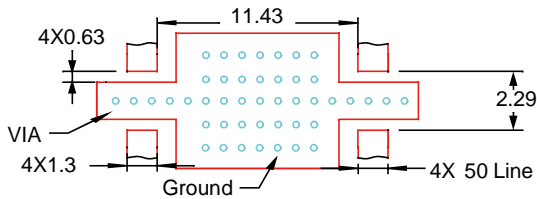
Frequency Range(MHz)	Demo Board Loss (dB) @25°C
420-820	0.06~0.10
800-1000	0.10~0.15
1200-1700	0.15~0.20
1700-2000	0.20~0.25
2000-2300	0.20~0.25
2300-2700	0.25~0.30



Yantel Corporation

Add: 3F, Building 3, Southern District 2 of Zhongguan Honghualing Industrial Park, Xili, Nanshan, Shenzhen, China
 Tel: 86-755-8355-1886 Fax: 86-755-8355-2533
 For detailed performance specs & shopping online see Yantel web site : www.yantel-corp.com

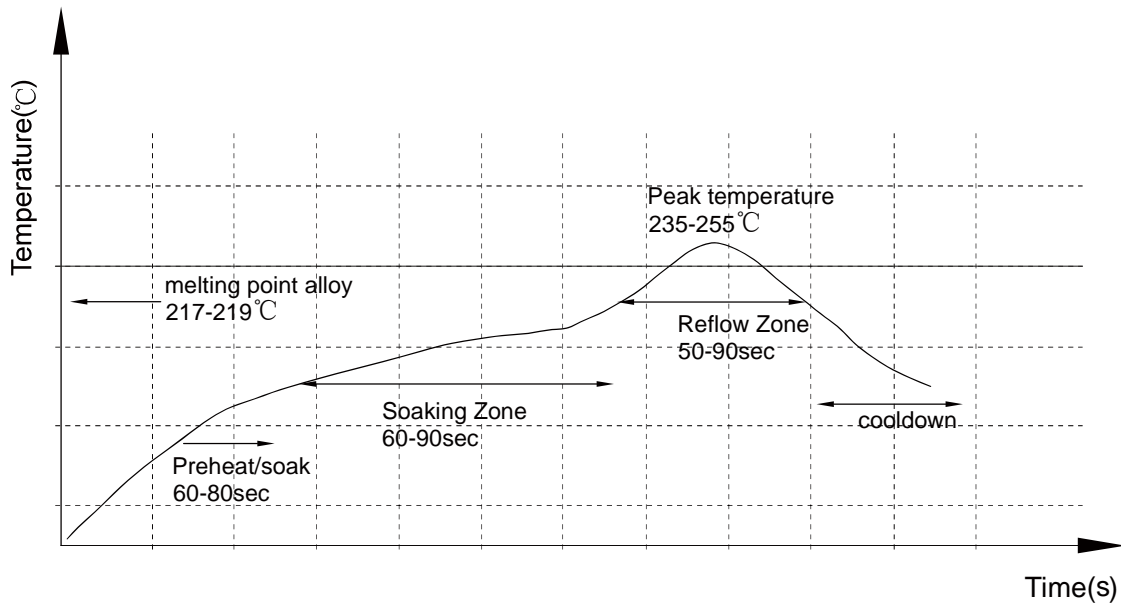
Recommended PCB Layout



NOTE:

1. 50Ω line width is shown above designing from RO4350B dielectric thickness 0.762mm; copper 1 OZ
2. Bottom side of the PCB is continuous ground plane.
3. All dimensions shown in mm.

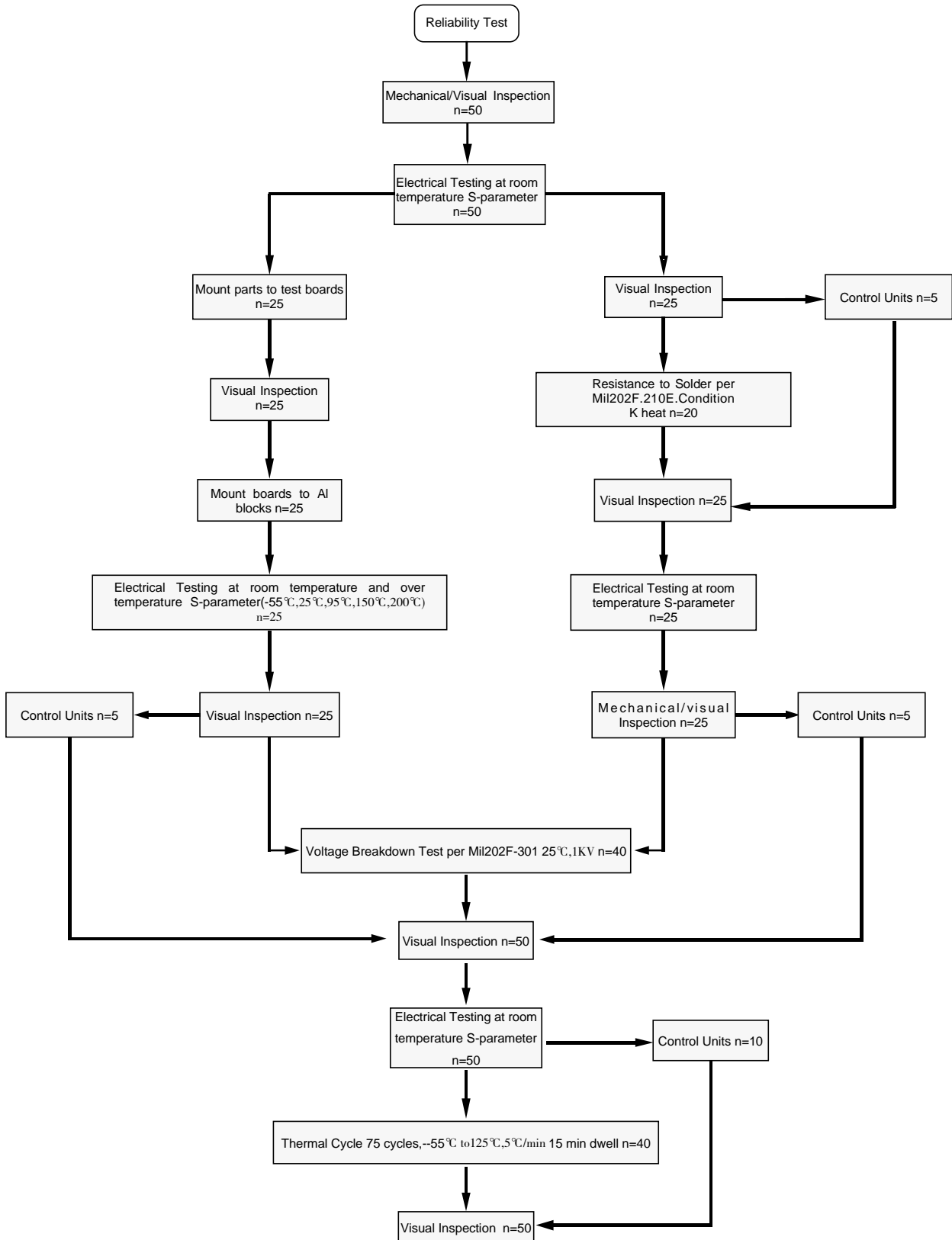
Reflow Profile



Yantel Corporation

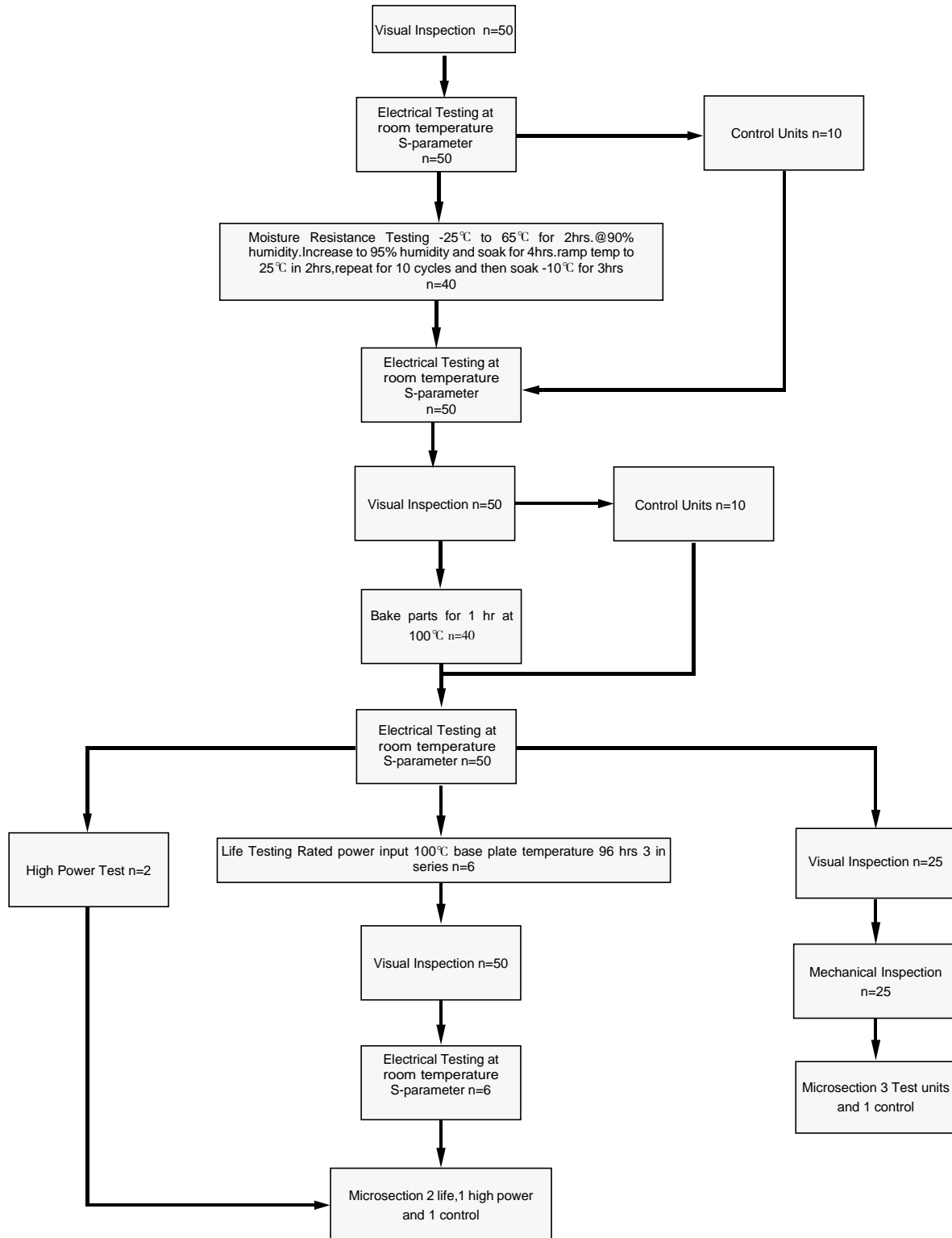
Add: 3F, Building 3, Southern District 2 of Zhongguan Honghualing Industrial Park, Xili, Nanshan, Shenzhen, China
 Tel: 86-755-8355-1886 Fax: 86-755-8355-2533
 For detailed performance specs & shopping online see Yantel web site : www.yantel-corp.com

Reliability Test Flow



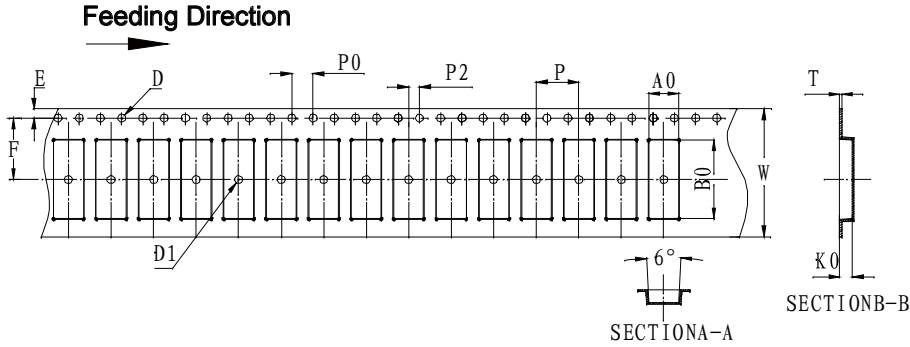
Yantel Corporation

Reliability Test Flow



Yantel Corporation

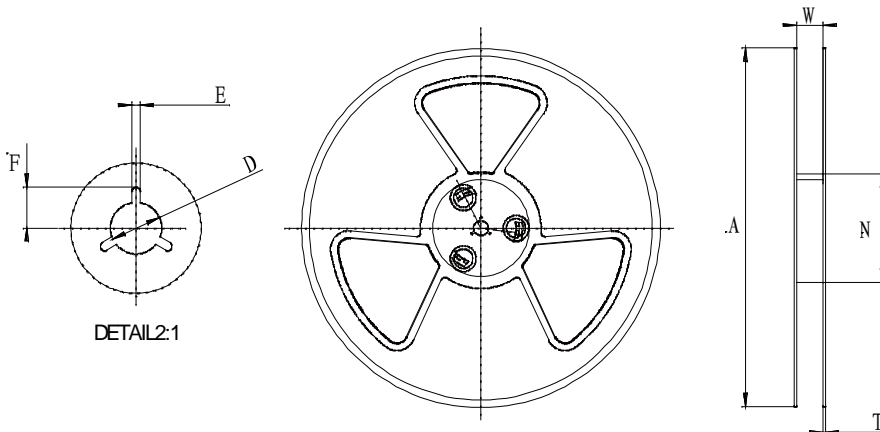
Tape and Reel Drawing



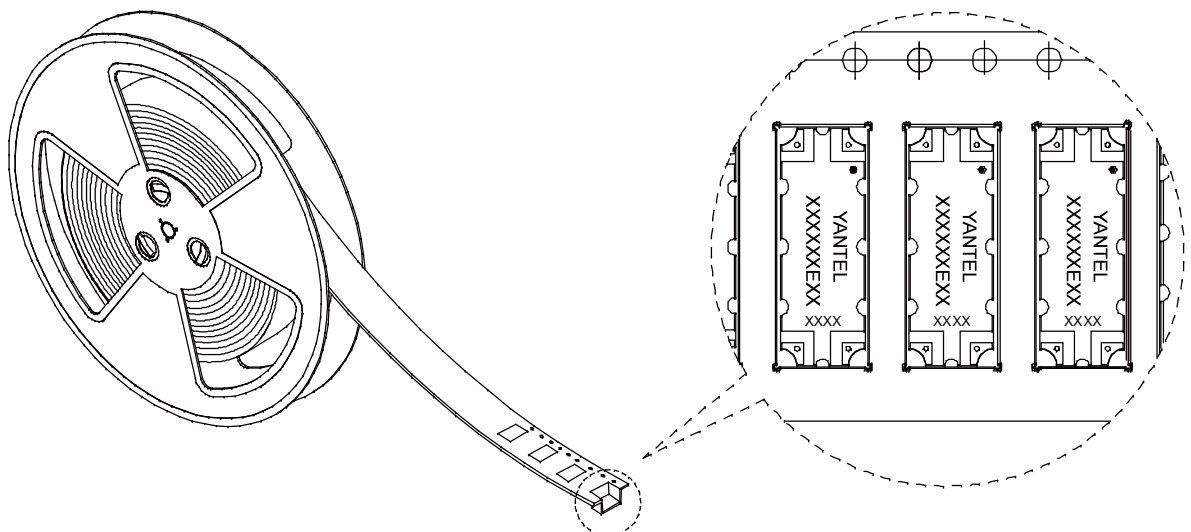
Notice:

- A. 10 Sprocket hole pitch cumulative tolerance is 0.2mm.
- B. Carrier camber shall be not more than 1mm per 100mm through a length of 250mm.
- C. All dimensions meet EIA-418-B requirements.
- D. A0 & B0 measured as indicated.
- E. K0 measured from a place on the inside bottom of the pocket to top surface of carrier.
- F. Material: PE 100
- G. Thickness: 0.30±0.05mm
- H. 800 units (maximum) / T&R

ITEM	W	A0	B0	K0	P	F	E	D	D1	P0	P2	T	7"
DIM(mm)	24.0	5.60	14.80	2.40	8.00	11.50	1.75	1.50	1.50	4.00	2.00	0.30	P/R
TOLE	+0.30 -0.30	+0.10 -0.10	+0.10 -0.10	+0.10 -0.10	+0.10 -0.10	+0.10 -0.10	+0.10 -0.10	+0.10 -0.00	+0.10 -0.00	+0.10 -0.10	+0.10 -0.10	+0.05 -0.05	800pcs



Symbol	Dimensions	
	(mm)	(inch)
W	24.5±0.4	0.965
A	177±0.5	7.0
N	63±0.3	2.48
T	1.8±0.2	0.071
E	2.1±0.3	0.083
F	10.75±0.3	0.423
D	13.5+0.5/-0.2	0.531



Yantel Corporation

Add: 3F, Building 3, Southern District 2 of Zhongguan Honghualing Industrial Park, Xili, Nanshan, Shenzhen, China

Tel: 86-755-8355-1886 Fax: 86-755-8355-2533

For detailed performance specs & shopping online see Yantel web site : www.yantel-corp.com