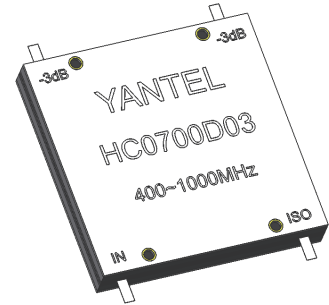


### Description

High-power broadband surface-mounted and embedded coupler series, realizing the power synthesis and distribution of microwave high-power amplifier system, signal acquisition and other functions. Used in active phased array radar, microwave transceiver components, microwave amplifiers, radio stations, satellite communications and other projects, to provide standardized and customized high-quality and reliable products.

The performance and reliability indexes are in line with international products, and the pin definition and package size are compatible with international products, realizing 100% in-situ replacement.



### Features:

- 400-1000 MHz
- High Power
- Very Low Loss
- Tight Amplitude Balance
- High Isolation
- Low VSWR
- Good Repeatability
- RoHS Compliant
- Tape & Reel Package available

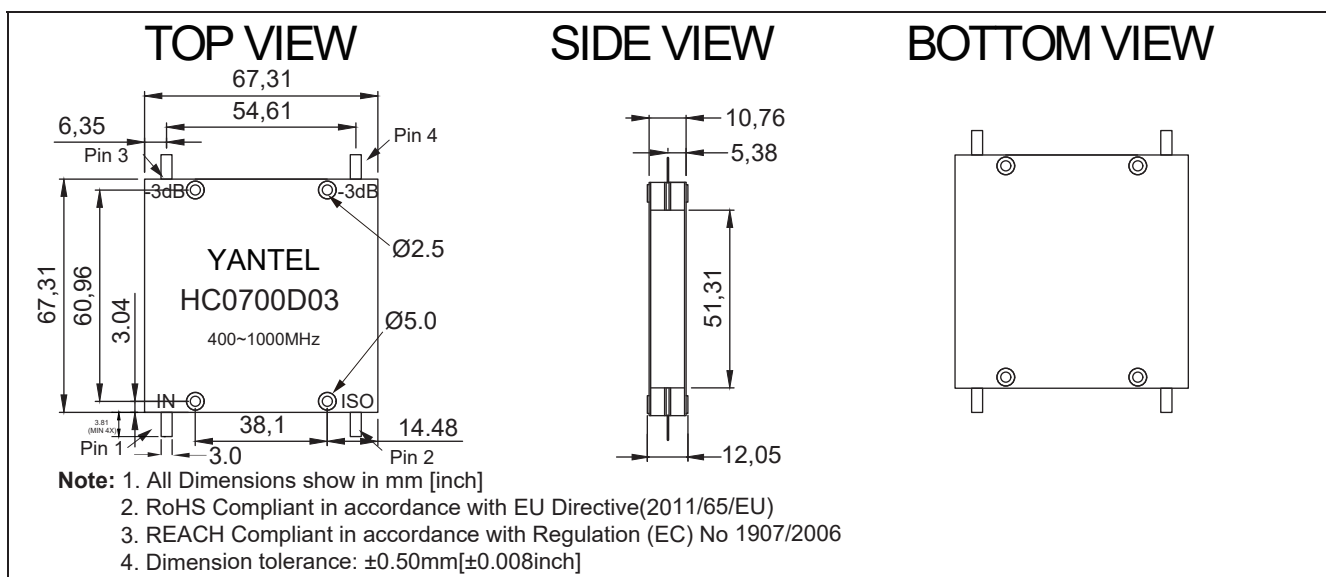
### Electrical Specifications

Frequency	Isolation	Insertion Loss	Return Loss
MHz	dB Min	dB Max	dB
400-1000	20	0.25	20
Amplitude Balance	Phase Balance	Power	Operating Temp.
dB Max	Degrees	Avg. CW Watts	°C
±0.80	90±3.0	800	-55 to +85

### Notes:

1. All the above data are based on specified demo board.
2. Insertion loss: Thru board loss has been removed.

### Mechanical Outline

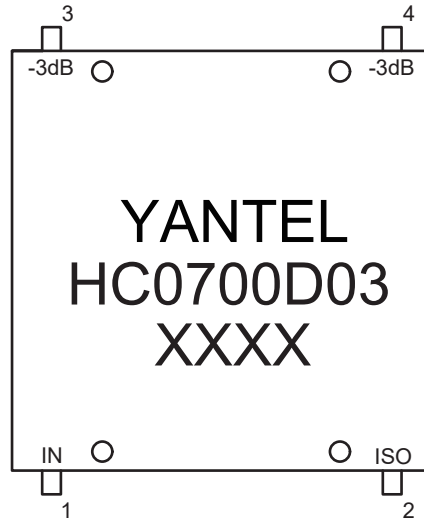


### Yantel Corporation

Add: No.308-322, 3F, Building 1, Juchuang Jingu Innovation Park, Wenyuan Road 35, Xili Street, Nanshan, Shenzhen, China  
Tel: 86-755-8355-1886 Fax: 86-755-8355-2533

For detailed performance specs & shopping online see Yantel web site : [www.yantel-corp.com](http://www.yantel-corp.com)

### Hybrid Coupler Pin Configuration



PORT CONFIGURATION				
INPUT	1	2	3	4
1	---	ISOLATION	-3dB<0 DEG	-3dB<-90 DEG
2	ISOLATION	---	-3dB<-90 DEG	-3dB<0 DEG
3	-3dB<0 DEG	-3dB<-90 DEG	---	ISOLATION
4	-3dB<-90 DEG	-3dB<0 DEG	ISOLATION	---

### Typical Performance Data (@25

Frequency (MHz)	Coupling (dB)	Transmission (dB)	Insertion Loss (dB)	Isolation (dB)	Amplitude Balance (dB)	Phase (degree)	Return Loss(dB)			
							S11	S22	S33	S44
400	-3.84	-2.51	-0.11	-21.23	-0.65	-89.18	-21.50	-21.30	-21.86	-21.06
430	-3.60	-2.71	-0.12	-20.99	-0.47	-89.15	-21.00	-20.73	-21.34	-20.72
460	-3.39	-2.89	-0.12	-20.87	-0.26	-89.10	-20.71	-20.47	-20.99	-20.46
490	-3.23	-3.06	-0.13	-20.82	-0.09	-89.08	-20.50	-20.35	-20.73	-20.23
520	-3.08	-3.20	-0.13	-20.88	0.06	-89.09	-20.48	-20.35	-20.45	-20.28
550	-2.97	-3.33	-0.13	-20.97	0.18	-89.16	-20.34	-20.54	-20.35	-20.52
580	-2.87	-3.44	-0.13	-21.02	0.27	-89.20	-20.62	-20.73	-20.26	-20.68
610	-2.80	-3.54	-0.14	-21.43	0.35	-89.42	-20.70	-21.20	-20.30	-21.23
640	-2.73	-3.61	-0.14	-21.65	0.42	-89.45	-21.03	-21.71	-20.14	-21.90
670	-2.69	-3.65	-0.13	-21.84	0.46	-89.53	-21.51	-22.27	-20.26	-22.46
700	-2.66	-3.69	-0.13	-22.37	0.49	-89.62	-21.99	-23.20	-20.70	-23.08
730	-2.66	-3.70	-0.14	-22.93	0.49	-89.78	-22.40	-24.07	-20.96	-23.91
760	-2.67	-3.71	-0.15	-23.96	0.49	-90.26	-22.50	-25.52	-21.20	-25.05
790	-2.64	-3.74	-0.14	-25.32	0.51	-90.24	-23.32	-27.12	-21.74	-27.10
820	-2.70	-3.69	-0.16	-26.76	0.47	-90.55	-24.00	-29.46	-22.05	-28.77
850	-2.70	-3.62	-0.13	-27.64	0.43	-90.29	-25.29	-32.23	-22.79	-31.93
880	-2.76	-3.54	-0.12	-29.38	0.37	-90.18	-27.22	-35.28	-23.70	-36.60
910	-2.85	-3.42	-0.12	-31.21	0.27	-90.24	-28.89	-32.95	-24.78	-45.32
940	-2.96	-3.30	-0.12	-33.98	0.17	-90.33	-31.29	-29.55	-26.08	-38.95
970	-3.11	-3.16	-0.12	-34.99	0.02	-90.53	-35.98	-26.70	-27.81	-32.47
1000	-3.28	-3.01	-0.13	-31.55	-0.14	-90.58	-40.54	-24.12	-31.03	-27.85

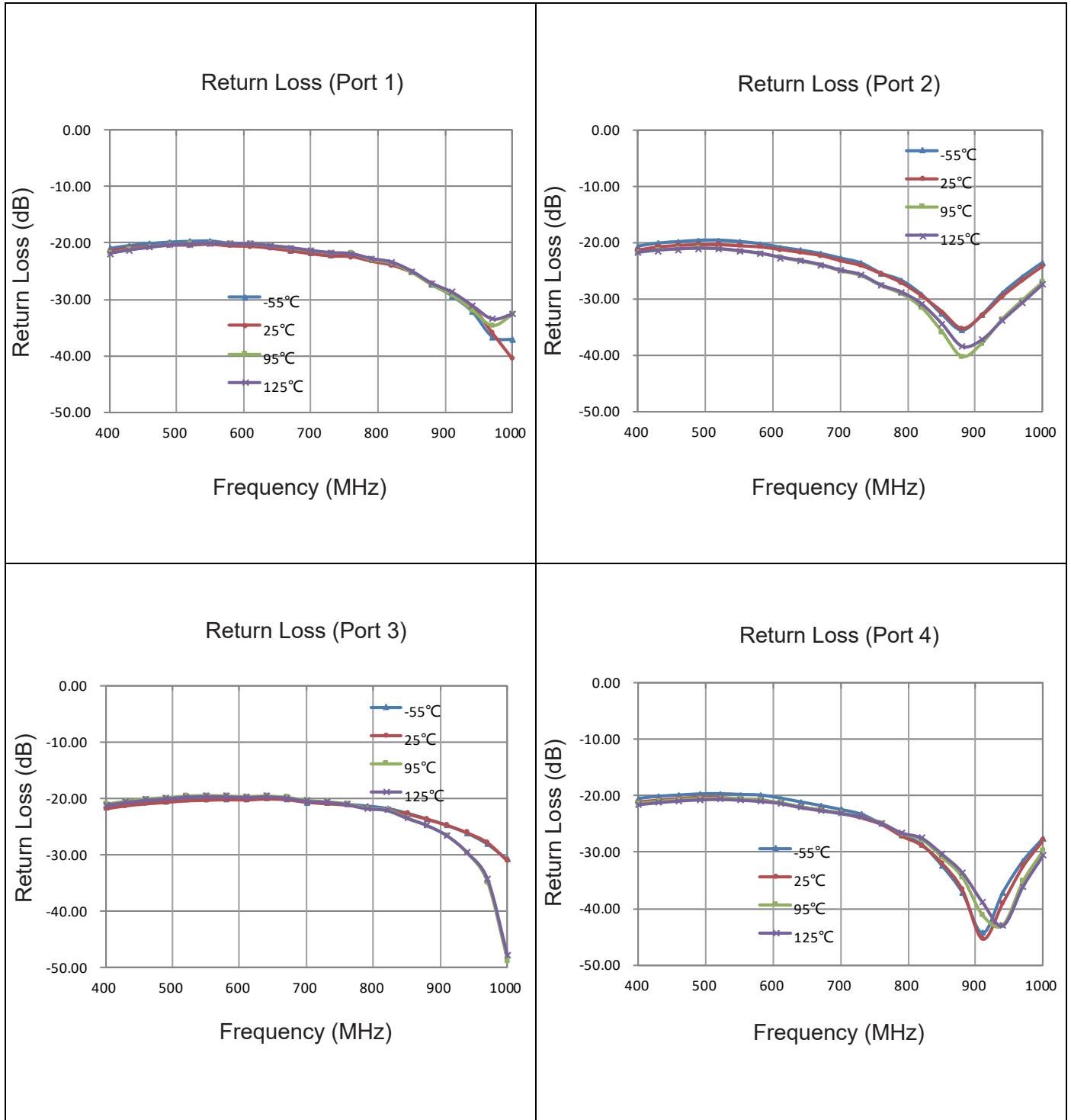
### Yantel Corporation

Add: No.308-322, 3F, Building 1, Juchuang Jingu Innovation Park, Wenyuan Road 35, Xili Street, Nanshan, Shenzhen, China

Tel: 86-755-8355-1886 Fax: 86-755-8355-2533

 For detailed performance specs & shopping online see Yantel web site : [www.yantel-corp.com](http://www.yantel-corp.com)

**Typical Performance (-55°C, 25°C, 95°C, 125°C: 400-1000 MHz)**

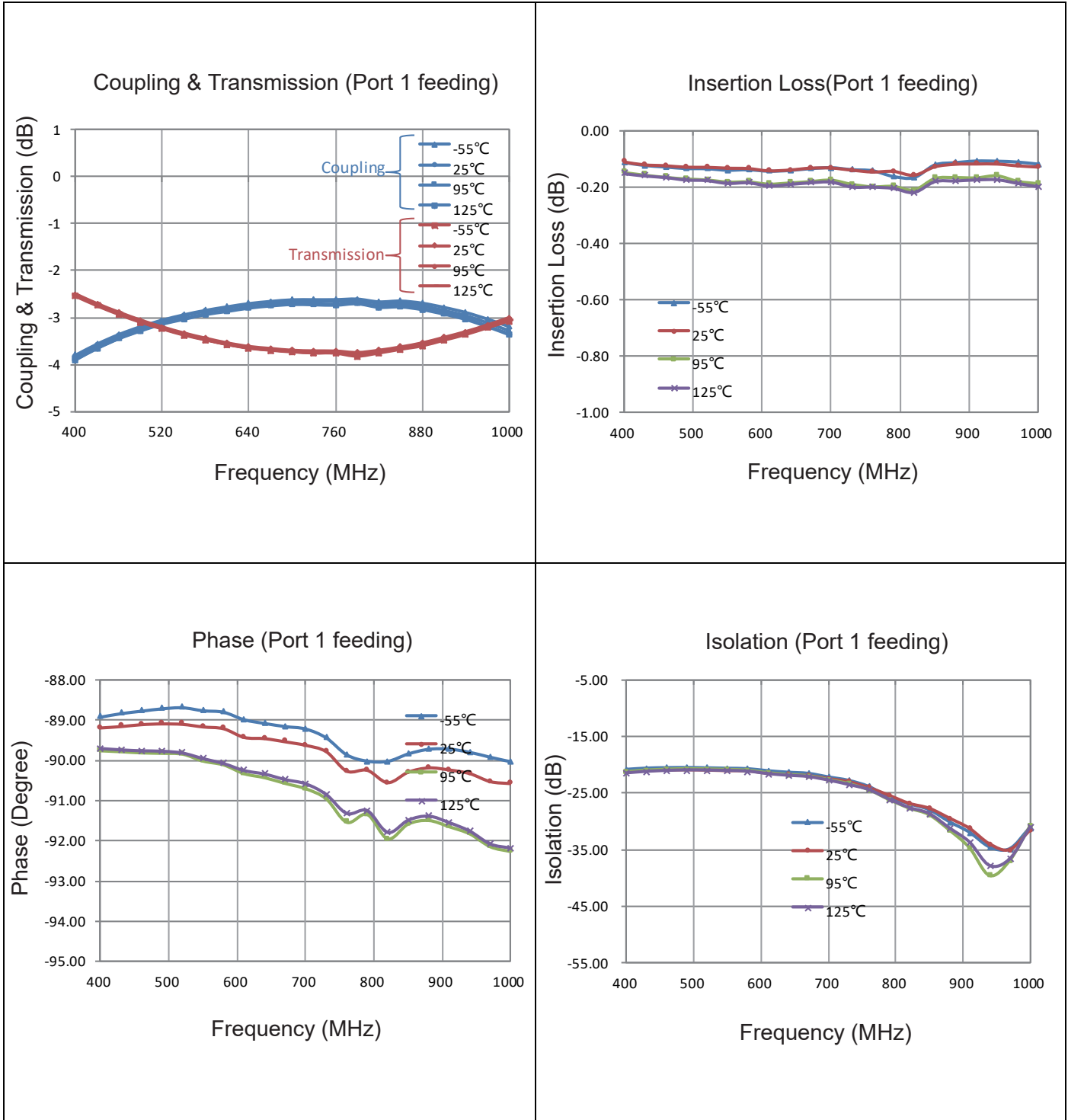


**Yantel Corporation**

Add: No.308-322, 3F, Building 1, Juchuang Jingu Innovation Park, Wenyuan Road 35, Xili Street, Nanshan, Shenzhen China  
 Tel: 86-755-8355-1886 Fax: 86-755-8355-2533

For detailed performance specs & shopping online see Yantel web site : [www.yantel-corp.com](http://www.yantel-corp.com)

**Typical Performance (-55°C, 25°C, 95°C, 125°C: 400-1000 MHz)**



**Yantel Corporation**

Add: No.308-322, 3F, Building 1, Juchuang Jingu Innovation Park, Wenyuan Road 35, Xili Street, Nanshan, Shenzhen China  
 Tel: 86-755-8355-1886 Fax: 86-755-8355-2533

For detailed performance specs & shopping online see Yantel web site : [www.yantel-corp.com](http://www.yantel-corp.com)

### Definition of Measured Specifications

Parameter	Definition	Mathematical Representation
<b>VSWR</b> (Voltage Standing Wave Ratio)	The impedance match of the coupler to a 50Ω system. A VSWR of 1:1 is optimal.	$VSWR = \frac{V_{max}}{V_{min}}$ Vmax = voltage maxima of a standing wave Vmin = voltage minima of a standing wave
<b>Return Loss</b>	The impedance match of the coupler to a 50Ω system. Return Loss is an alternate means to express VSWR.	$\text{Return Loss (dB)} = 20 \log \frac{VSWR + 1}{VSWR - 1}$
<b>Insertion Loss</b>	The input power divided by the sum of the power at the two output ports.	$\text{Insertion Loss(dB)} = 10 \log \frac{P_{in}}{P_{cpl} + P_{transmission}}$
<b>Isolation</b>	The input power divided by the power at the isolated port.	$\text{Isolation(dB)} = 10 \log \frac{P_{in}}{P_{iso}}$
<b>Phase Balance</b>	The difference in phase angle between the two output ports.	Phase at coupled port – Phase at transmission port
<b>Amplitude Balance</b>	The power at each output divided by the average power of the two outputs.	$10 \log \frac{P_{cpl}}{\left(\frac{P_{cpl} + P_{transmission}}{2}\right)} \quad \text{or} \quad 10 \log \frac{P_{transmission}}{\left(\frac{P_{cpl} + P_{transmission}}{2}\right)}$

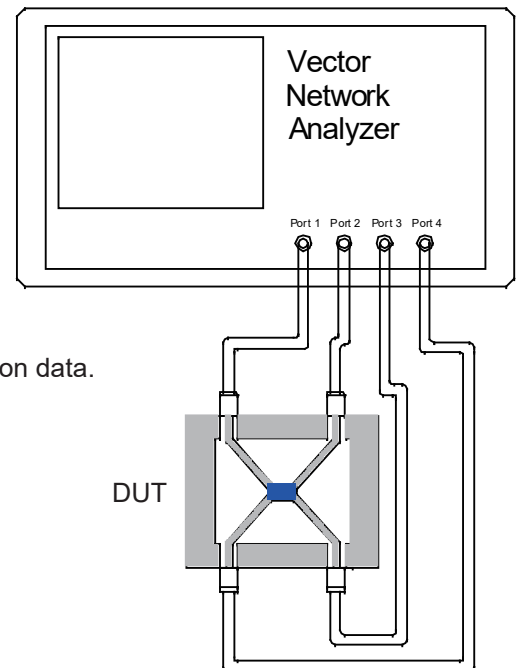
### Test Method

1. Calibrating your vector network analyzer.
2. Connect the VNA 4 Port to DUT respectively.
3. Measure the data of coupling through port 1 to port 4(S41).
4. Measure the data of transmission through port 1 to port 3(S31).
5. Measure the data of isolation through port 1 to port 2(S21).
6. Measure the data of phase port 4 & port 3(port 1 feeding).
7. Measure the data of return loss port 1, port 2, port 3 & port 4.
8. According to the above data to calculate insertion loss, amplitude balance & phase.

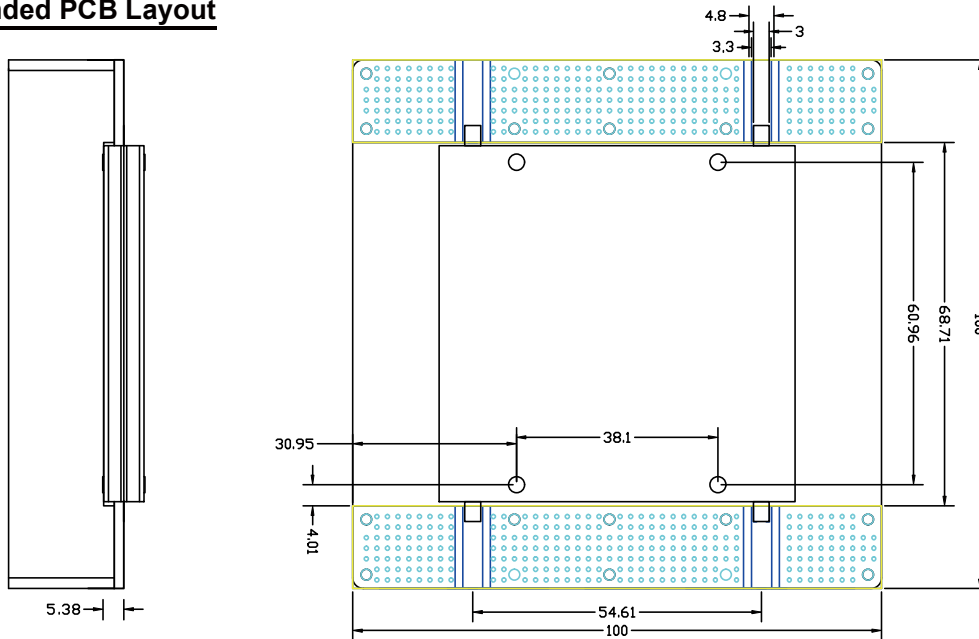
#### Note:

1. When calculating insertion loss at room temperature, demo board loss should be removed from both coupling & transmission data. Please refer to the below table for demo board loss :

Frequency Range(MHz)	Demo Board Loss (dB) @25°C
<b>470-860</b>	0.07
<b>800-1000</b>	0.10
<b>1200-1700</b>	0.15
<b>1700-2000</b>	0.15
<b>2000-2300</b>	0.20
<b>2300-2700</b>	0.25



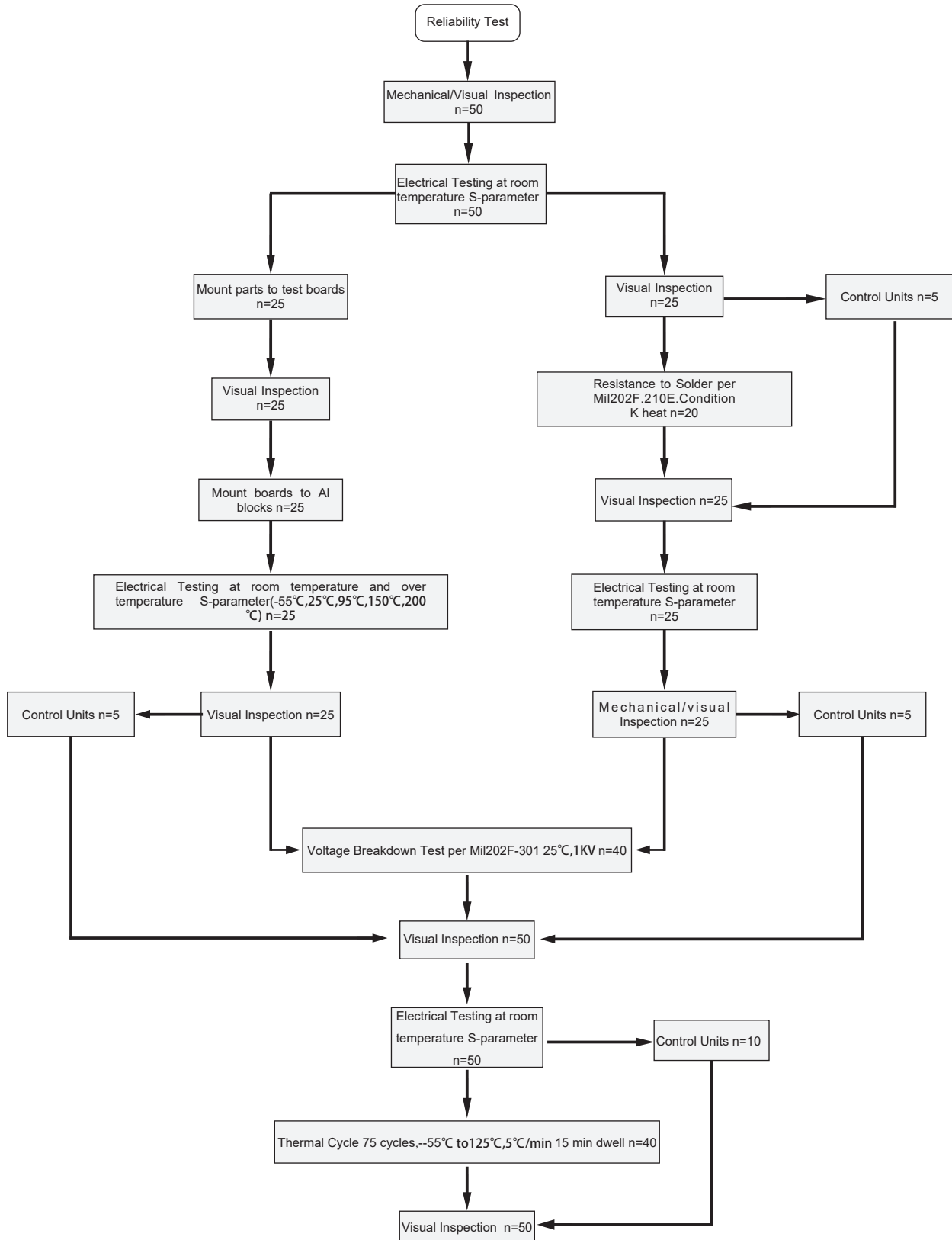
### Recommended PCB Layout



#### NOTE:

1. 50Ω line width is shown above designing from  $\epsilon_r=3.66$  THK=60mil copper 1 OZ
2. Bottom side of the PCB is continuous ground plane.
3. All dimensions shown in mm.

### Reliability Test Flow



### Reliability Test Flow

